



ANCO Bacon Press

Model 1411P-G3

For over 75 years, the ANCO Bacon Press has evolved into the current 1411P-G3 model which maximizes yield improvement and provides higher levels of efficiency and reliability.

Standard Features:

- New lock down head feature helps control belly thickness.
- The timer feature allows you to compensate for wide variations in belly temperatures and minimizes over or under pressing.
- The patented “Maximizer” bladder inflates to fill the void on the thin end of the belly reducing wrinkles during the processing cycle.
- The Automatic cycle eliminates operator variations and improves yield by exposing each belly to the same pressure and time settings no matter what the belly size. It also helps to minimize over and under pressing.
- There are no die box changes for different sizes because the 1411P-G3 adjusts to any size belly put in the 34 inch long die box.
- The operator control panel feature gives the operator maximum control of the pressing cycle.
- The 1411P-G3 includes a number of ergonomic features to reduce operator fatigue such as a catch tray and adjustable infra-red activation switches.
- Additional safety interlocks.

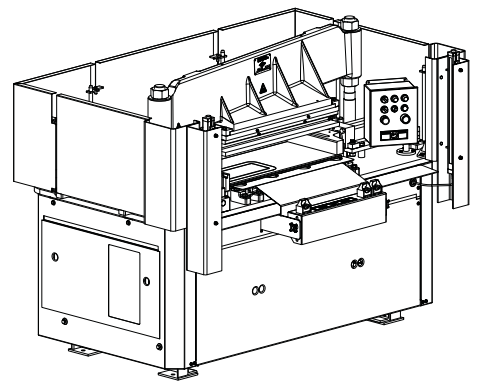
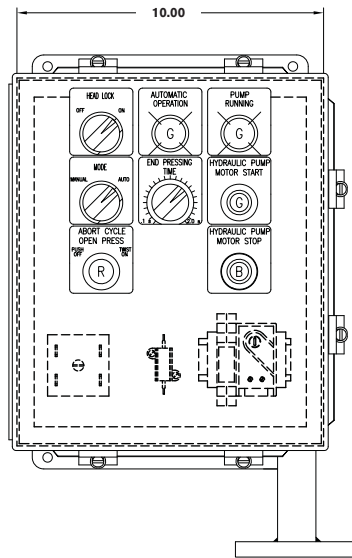
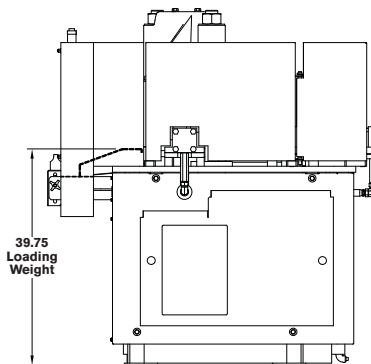
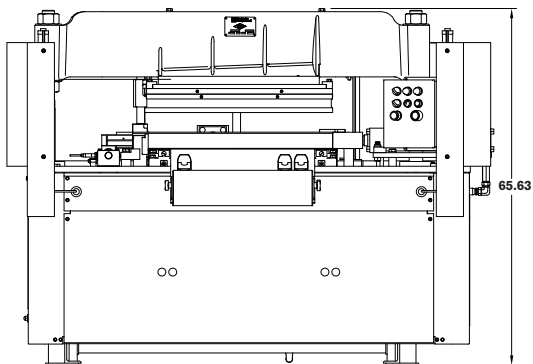
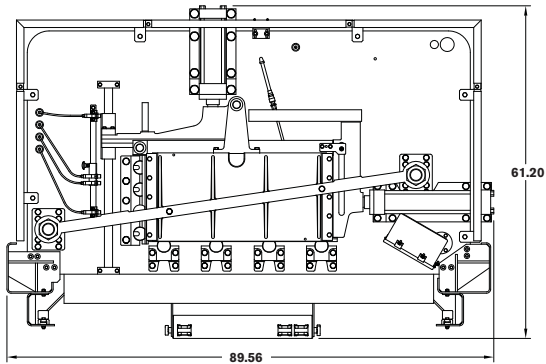


Operator Control Panel

The operator control panel incorporates the following features:

- Lock down head activation switch
- Automatic or manual selector switch
- Adjustable end cylinder timer
- Start, stop and emergency stop buttons

Dimensions



SPX[®]

PROCESS EQUIPMENT

Your local contact:

Marty Scholand

Phone: (717) 259-9295, Fax: (717) 259-7352

E-mail: mscholandaftwcb@juno.com

SPX Process Equipment, Waukesha Cherry-Burrell Operation
611 Sugar Creek Road, Delavan, WI 53115
Phone: (800) 252-5200 or (262) 728-1900, Fax: (262) 728-4904
E-mail: wcb@spx.com

For more information about our worldwide locations, approvals, certifications, and local representatives, please visit www.spxpe.com.

SPX Corporation reserves the right to incorporate our latest design and material changes without notice or obligation. Design features, materials of construction and dimensional data, as described in this bulletin, are provided for your information only and should not be relied upon unless confirmed in writing.

Issued: 1/2009 DS-1501

Copyright © 2007, 2009 SPX Corporation