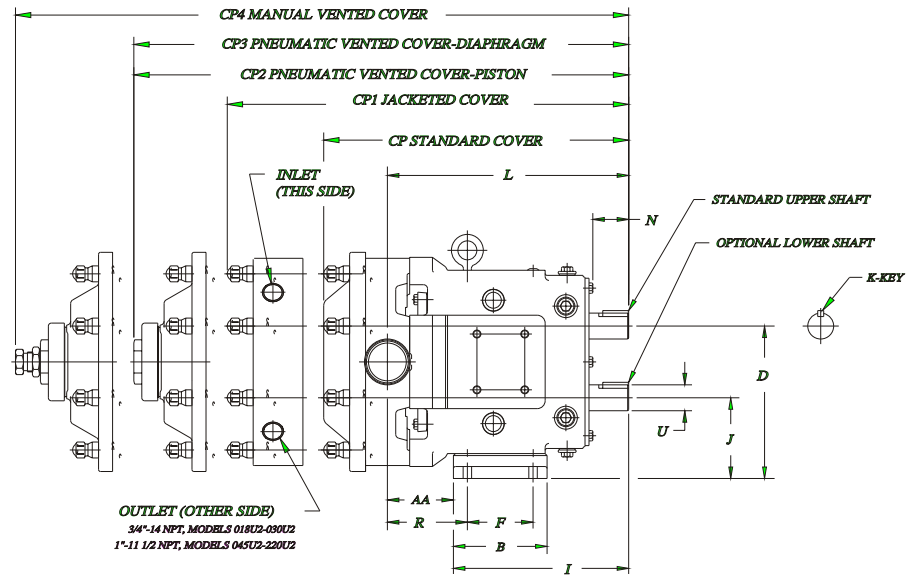
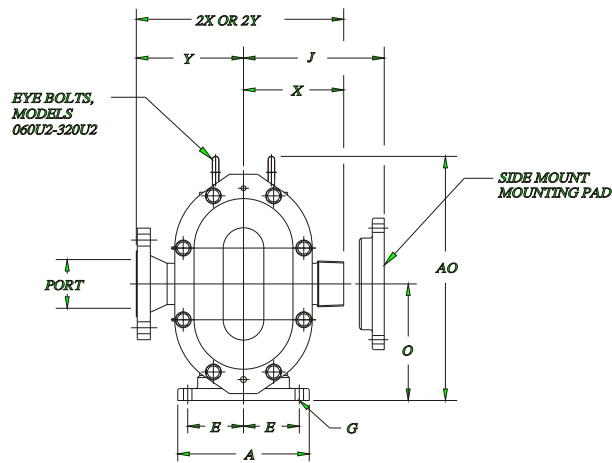


DRAWING AT FULL SCALE, PLOT AT 0.7500=1!!!

WAUKESHA UNIVERSAL 2 PUMP DIMENSIONS WITH MALE NPT OR FLANGED PORTS



MALE NPT CONN. 150 OR 300 LB FLANGE CONN.

PUMP MODEL	A	AA	AO	B	CP	CP1	CP2	CP3	CP4	D	E	F	G	GI	I	J	K	L	N	O	PORT SIZE	R	U +0.00 -0.01	X	2X	Y	2Y	WEIGHT LBS/KG	
060U2	IN	4.75	1.95	8.30	3.75	11.71	13.92	13.20	13.29	14.92	5.30	1.94	2.31	.41, SLOT	5/16-18x.62	7.66	2.93	.1875	9.61	2.00	4.21	1"	2.79	.875	4.06	8.11	4.17	8.33	55
	MM	121	50	211	95	297	354	335	338	379	140	49	59	10, SLOT	-	194	74	4.763	244	51	107	-	71	22.3	103	206	106	212	25
015U2	IN	4.75	1.95	8.30	3.75	11.71	13.92	13.20	13.29	14.92	5.30	1.94	2.31	.41, SLOT	5/16-18x.62	7.66	2.93	.1875	9.61	2.00	4.21	1 1/2"	2.79	.875	4.06	8.11	4.67	9.33	60
	MM	121	50	211	95	297	354	335	338	379	140	49	59	10, SLOT	-	194	74	4.763	244	51	107	-	71	22.3	103	206	119	237	27
018U2	IN	4.75	2.18	8.30	3.75	12.37	14.39	13.86	13.95	15.38	5.30	1.94	2.31	.41, SLOT	5/16-18x.62	7.66	2.93	.1875	10.48	2.00	4.21	1 1/2"	3.02	.875	4.06	8.11	4.17	8.33	60
	MM	121	55	211	95	314	371	352	354	396	140	49	59	10, SLOT	-	194	74	4.763	266	51	107	-	77	22.3	103	206	106	212	27
030U2	IN	6.25	2.78	10.29	4.25	14.49	16.49	15.89	15.98	17.58	6.86	2.31	2.56	.41, SLOT	3/8-16x.62	8.83	3.56	.25	11.61	2.32	5.21	1 1/2"	3.84	1.280	4.76	9.52	4.87	9.74	120
	MM	159	71	261	108	368	419	404	406	447	174	59	65	10, SLOT	-	224	90	6.35	295	59	132	-	98	31.75	121	242	124	247	54
045U2	IN	8.25	3.86	15.31	5.87	18.59	20.70	20.68	20.97	22.28	9.56	3.50	4.12	.53	1/2-13x.88	10.99	5.06	3.75	14.86	2.25	7.31	2"	4.73	1.625	5.98	11.95	6.79	13.57	120
	MM	210	98	389	149	472	526	525	533	566	243	89	105	13	-	279	129	9.525	377	57	186	-	120	41.28	152	304	172	345	54
060U2	IN	8.25	4.14	15.31	5.87	19.14	21.25	21.23	21.52	22.83	9.56	3.50	4.12	.53	1/2-13x.88	10.99	5.06	3.75	15.14	2.25	7.31	2 1/2"	5.01	1.625	6.29	12.57	6.73	13.65	270
	MM	210	105	389	149	486	540	539	547	580	243	89	105	13	-	279	129	9.525	385	57	186	-	127	41.28	160	319	171	342	122
130U2	IN	8.25	4.78	15.31	5.87	20.15	22.27	22.25	22.53	23.84	9.56	3.50	4.12	.53	1/2-13x.88	10.99	5.06	3.75	15.77	2.25	7.31	3"	5.65	1.625	6.32	12.64	6.73	13.65	300
	MM	210	121	389	149	512	566	565	572	606	243	89	105	13	-	279	129	9.525	401	57	186	-	144	41.28	161	321	171	342	136
180U2	IN	8.50	3.45	19.13	9.00	23.26	25.32	26.71	N/A	28.51	12.38	3.75	7.25	.53, SLOT	1/2-13x1.00	14.80	6.38	.50	18.25	2.75	9.38	3"	4.20	2.000	7.48	14.95	7.88	15.76	505
	MM	216	88	486	229	591	643	678	-	724	314	95	184	13, SLOT	-	376	162	12.7	464	70	238	-	107	30.80	190	380	200	400	229
210U2	IN	12.00	3.45	22.38	11.63	27.08	-	-	-	13.88	5.25	8.00	.66	1/2-13x1.00	17.80	6.88	.625	21.24	4.06	10.38	4"	4.70	2.375	8.31	16.62	8.63	17.25	505	
	MM	305	88	568	295	688	-	-	-	353	133	203	17	-	452	175	15.88	539	103	264	-	119	60.45	211	422	219	438	229	
220U2	IN	8.50	3.69	19.13	9.00	24.00	26.06	27.65	N/A	28.25	12.38	3.75	7.25	.53, SLOT	1/2-13x1.00	14.80	6.38	.50	18.49	2.75	9.38	4"	4.44	5.98	7.57	15.14	7.88	15.76	505
	MM	216	94	486	229	610	662	697	-	743	314	95	184	13, SLOT	-	376	162	12.7	470	70	238	-	113	30.80	192	385	200	400	229
320U2	IN	12.00	3.84	22.38	11.63	27.66	-	-	-	13.88	5.25	8.00	.66	1/2-13x1.00	17.80	6.88	.625	21.63	4.06	10.38	6" FLANGE	5.09	2.375	-	-	8.00	16.00	850	
	MM	305	97	568	295	703	-	-	-	353	133	203	17	-	452	175	15.88	549	103	264	-	129	60.45	-	-	203	406	386	

NOTE: DIMENSIONS "X" AND "2X" APPLY FOR NPT PORTS (EXCEPT FOR 320U2) & "Y" AND "2Y" APPLY FOR FLANGED PORTS.

CAD DRAWING
DO NOT SCALE OR MANUALLY CHOOSE

		Waukesha Cherry-Burrell A United Technologies Company 10000 Waukesha Drive, Waukesha, WI 53186		This drawing is the property of Waukesha Cherry-Burrell. It is to be used only for the purpose intended. It is not to be reproduced, stored in a retrieval system, or transmitted in any form or by any means, electronic, mechanical, photocopying, recording, or by any information storage and retrieval system, without the prior written permission of Waukesha Cherry-Burrell.	
PUMP DIMENSIONS U2-SF SERIES FLANGED & MALE NPT PORT CONNS.				DIMN-U2-IND	
REV	DATE	BY	DESCRIPTION	MATERIAL	QTY
1	5-11-01	TD	RELEASE		1
DATE	DATE	DATE	DATE	DATE	DATE
5-11-01	5-11-01	5-11-01	5-11-01	5-11-01	5-11-01