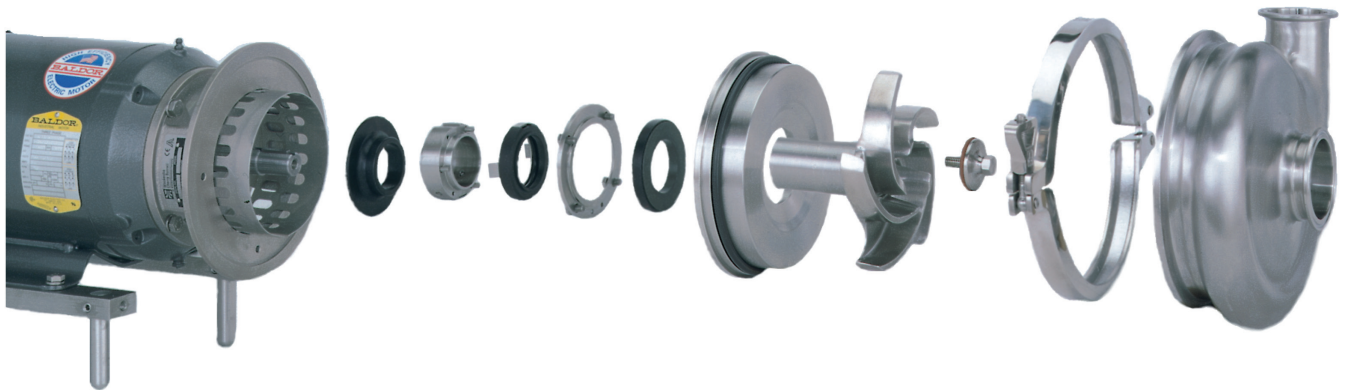


# 200 Series Sanitary Pump Parts List

DOC NO.: PL5030 EFFECTIVE: 3/1/2005

\*\*ALL PRICES SUBJECT TO CHANGE WITHOUT NOTICE\*\*





## Table of Contents

2045 PUMP PARTS LIST .....	4
2045 CASING PARTS LIST .....	5
2065LV - 2065 - 2065HP PUMP PARTS LIST .....	6
2065LV - 2065 - 2065HV CASING PARTS LIST .....	7
2075 PUMP PARTS LIST .....	8
2075 CASING PARTS LIST .....	9
2085LV - 2085 PUMP PARTS LIST .....	10
2085LV - 2085 CASING PARTS LIST .....	11
2105 PUMP PARTS LIST .....	12
2105 CASING PARTS LIST .....	13
TYPE 1 SEAL AND COMMON PARTS LIST .....	14
TYPE 4 SEAL AND COMMON PARTS LIST .....	16
TYPE 1 SEAL KITS .....	18
TYPE 4 SEAL KITS .....	19
STYLE "C" SMALL BORE PEDESTAL PARTS LIST .....	20
STYLE "C" LARGE BORE PEDESTAL PARTS LIST .....	22
2085MS PUMP PARTS LIST .....	24
2085MS TYPE 4 SEAL AND COMMON PARTS LIST .....	24
2085LR PUMP PARTS LIST .....	26
2085HPLV - 2085HP PUMP PARTS LIST .....	27
2085HPLV - 2085HP CASING PARTS LIST .....	28
2085HPLV - 2085HP TYPE 4 SEAL PARTS LIST .....	29
2085HPLV - 2085HP STYLE "B" LARGE BORE PEDESTAL PARTS LIST .....	30

**2045 PUMP PARTS LIST**

ITEM NO.	DESCRIPTION	QTY. PER PUMP	PART NO.	NOTES
1	Casing (see list following)	1		
2	Impeller, Full 4.5" Diameter	1	CENTPT00476	1
3	Impeller Retainer	1	129-773X	
* 4	<b>Impeller O-Ring, FKM</b>	1	V70214	
* 4	<b>Impeller O-Ring, EPDM</b>	1	E70214	
* 4	<b>Impeller O-Ring, Silicone</b>	1	S75214	
* 4	<b>Impeller O-Ring, FFKM</b>	1	K75214	
* 4	<b>Impeller O-Ring, PTFE ENCAP.</b>	1	T80214	
5	Adapter, 143JM - 184JM Frame, STD.	1	2-235	
	Adapter, 143JM - 184JM Frame, SS	1	114217	
6	Seal Guard	1	70-27	
7	3/8 - 16 x 3/4" Hex Screw	4	30-50	
8	3/8" Lockwasher	4	43-28	
* 9	<b>Casing O-Ring, FKM</b>	1	V70252	
* 9	<b>Casing O-Ring, EPDM</b>	1	E70252	
* 9	<b>Casing O-Ring, Silicone</b>	1	S75252	
* 9	<b>Casing O-Ring, FFKM</b>	1	K75252	
* 9	<b>Casing O-Ring, PTFE ENCAP.</b>	1	T80252	
10	Backplate	1	1-59X	
11	Casing Clamp	1	119-71	
12	Key - 3/16"	1	65-3	

PL5030-CH1

**NOTES:**

\* **Recommended Spare Parts - available as kits for standard seals - see page 18.**

1. Trimmed impellers use same part number and price; specify diameter required in 1/8" increments on order.

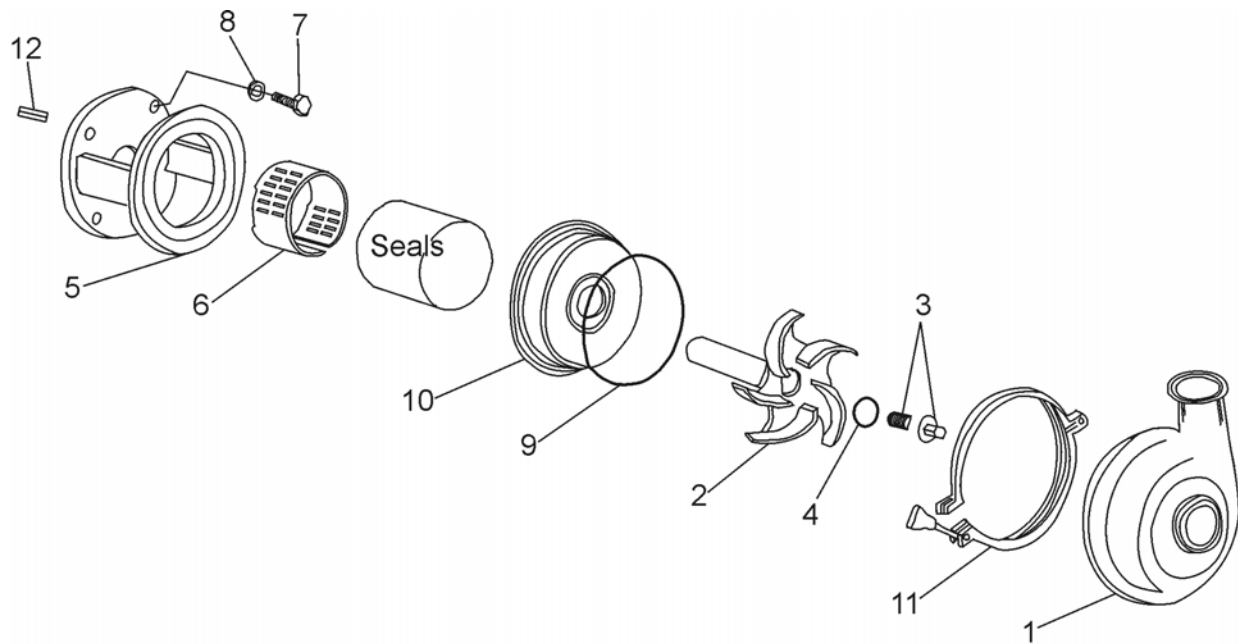
2045 CASING PARTS LIST

FITTING TYPE	SANITARY		NOTES
	1-1/2 x 1-1/2	2 x 1-1/2	
S-Line (MP)	CENTPT00549	CENTPT00550	
Bevel Seat	CENTPT00551	CENTPT00552	
I-Line; Female	CENTPT00553	CENTPT00554	
I-Line; Male	CENTPT00555	CENTPT00556	
Q-Line	CENTPT00557	CENTPT00558	
Weld	CENTPT00559	CENTPT00560	
NPT; Male	CENTPT00561	CENTPT00562	1
NPT; Female	CENTPT00563	CENTPT00564	1
150 LB. Flange	CENTPT00565	CENTPT00566	1

PL5030-CH2

NOTES:

1. These casings **do not** meet the requirements of 3A Sanitary Standards.



CT100-113a

## 2065LV - 2065 - 2065HV PUMP PARTS LIST

ITEM NO.	DESCRIPTION	QTY. PER PUMP	PART NO.	NOTES
1	Casing (see list following)	1		
2	2065LV Impeller, 6.5" Dia., 143-215JM, SM Bore	1	CENTPT00377	1
	2065LV Impeller, 6.5" Dia., 254-326JM, LG Bore	1	CENTPT00351	1
	2065 Impeller, 6.5" Dia., 143-215JM, SM Bore	1	CENTPT00243	1
	2065 Impeller, 6.5" Dia., 254-326JM, LG Bore	1	CENTPT00479	1
	2065HV Impeller, 6.5" Dia., 143-215JM, SM Bore	1	CENTPT00567	1
	2065HV Impeller, 6.5" Dia., 254-326JM, LG Bore	1	CENTPT00568	1
3	Impeller Retainer, 143-215JM SM Bore	1	129-771X	
	Impeller Retainer, 254-326JM LG Bore	1	129-772X	
* * * * *	<b>Impeller O-Ring, FKM</b>	1	V70220	
	<b>Impeller O-Ring, EPDM</b>	1	E70220	
	<b>Impeller O-Ring, Silicone</b>	1	S75220	
	<b>Impeller O-Ring, FFKM</b>	1	K75220	
	<b>Impeller O-Ring, PTFE ENCAPSULATED</b>	1	T80220	
5	Adapter, 143-184JM Frame, STD.	1	2-168	
	Adapter, 213-215JM Frame, STD.	1	2-169	
	Adapter, 254-256JM Frame, STD.	1	2-170	
	Adapter, 284-326JM Frame, STD.	1	2-196	
	Adapter, 143-184JM Frame, SS	1	113416	
	Adapter, 213-215JM Frame, SS	1	113067	
	Adapter, 254-256JM Frame, SS	1	114031	
	Adapter, 284-326JM Frame, SS	1	116290	
6	Seal Guard, for Machined Casting Backplate - 143/215JM	1	70-23	
	Seal Guard, for Machined Casting Backplate - 254/256JM	1	70-24	
	Seal Guard, for Machined Backplate - 284/286JM	1	114508	4
7	3/8-16 x 1" Hex Screw, 143-184JM Frame	4	30-30	
	1/2-13 x 1-1/4" Hex Screw, 213-256JM Frame	4	30-36X	
	5/8-11 x 1-1/2" Hex Screw, 284-326JM Frame	4	30-105	
8	3/8" Lockwasher	4	43-28	
	1/2" Lockwasher	4	43-16	
	5/8" Lockwasher	4	43-33	
* * * * *	<b>Casing O-Ring, FKM</b>	1	V70439	
	<b>Casing O-Ring, EPDM</b>	1	E70439	
	<b>Casing O-Ring, Silicone</b>	1	S75439	
	<b>Casing O-Ring, FFKM</b>	1	K75439	
	<b>Casing O-Ring, PTFE ENCAPSULATED</b>	1	T80439	
10	Backplate	1	1-60X	
11	Casing Clamp	1	119-70	
12	Key-3/16", 143-215JM, SM Bore	1	65-3	
	Key-1/4", 254-326JM, LG Bore	1	65-4	

PL5030-CH3

## NOTES:

\* **Recommended Spare Parts - available as kits for standard seals - see page 18.**

1. Trimmed impellers use same part number; specify diameter required in 1/8" increments on order.
4. For machined backplates starting in November 2000.

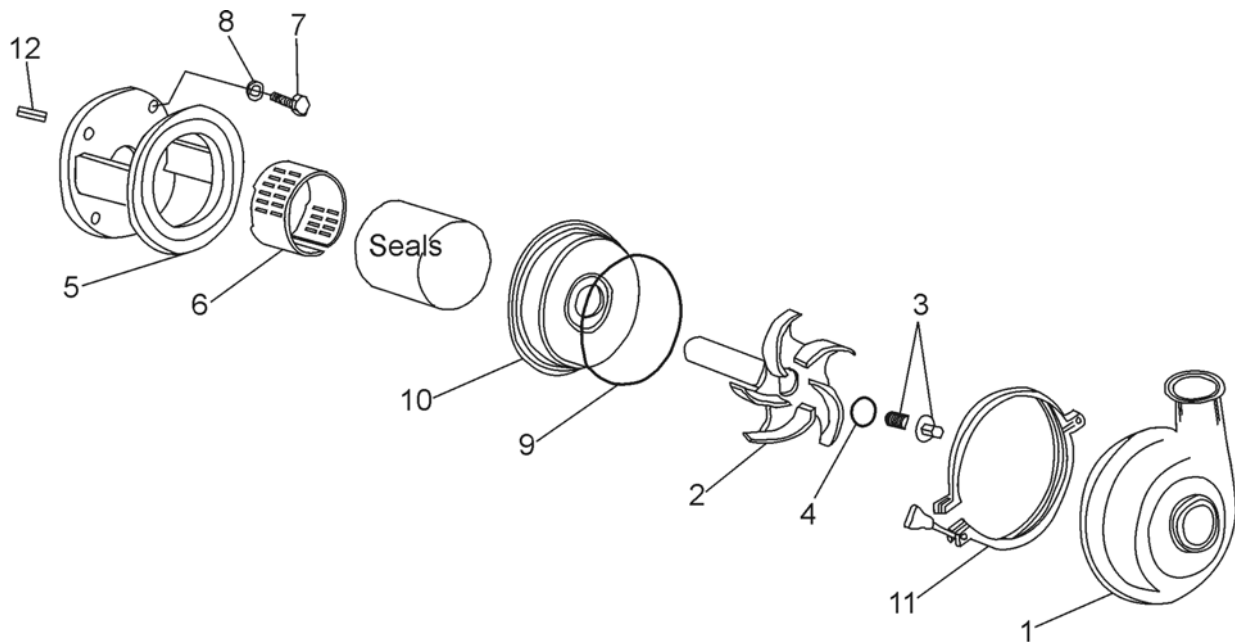
2065LV - 2065 - 2065HV CASING PARTS LIST

FITTING TYPE	2065LV SANITARY			2065 SANITARY	2065HV SANITARY	NOTES
	1-1/2 x 1-1/2	2 x 1-1/2	2-1/2 x 1-1/2	2-1/2 X 2	3 X 2	
S-Line (MP)	CENTPT00569	CENTPT00455	CENTPT00413	CENTPT00417	CENTPT00570	
Bevel Seat	CENTPT00571	CENTPT00572	CENTPT00573	CENTPT00574	CENTPT00575	
I-Line; Female	CENTPT00576	CENTPT00577	CENTPT00578	CENTPT00579	CENTPT00580	
I-Line; Male	CENTPT00581	CENTPT00582	CENTPT00583	CENTPT00584	CENTPT00585	
Q-Line	CENTPT00586	CENTPT00587	CENTPT00588	CENTPT00589	CENTPT00590	
Weld	CENTPT00591	CENTPT00592	CENTPT00593	CENTPT00594	CENTPT00595	
NPT; Male	CENTPT00596	CENTPT00597	CENTPT00598	CENTPT00599	CENTPT00600	1
NPT; Female	CENTPT00601	CENTPT00602	CENTPT00603	CENTPT00604	CENTPT00605	1
150 LB. Flange	CENTPT00606	CENTPT00607	CENTPT00608	CENTPT00609	CENTPT00280	1

PL5030-CH4

NOTES:

1. These casings **do not** meet the requirements of 3A Sanitary Standards.



CT100-113a

## 2075 PUMP PARTS LIST

ITEM NO.	DESCRIPTION	QTY. PER PUMP	PART NO.	NOTES
1	Casing (see list following)	1		
2	2075 Impeller, 8.7" Dia., 143-215JM, SM Bore	1	CENTPT00678	1
	2075 Impeller, 8.7" Dia., 254-326JM, LG Bore	1	CENTPT00679	1
3	Impeller Retainer, 143-215JM, SM, Bore	1	129-771X	
	Impeller Retainer, 254-326JM, LG, Bore	1	129-772X	
* * * * *	<b>Impeller O-Ring, FKM</b>	1	V70220	
	<b>Impeller O-Ring, EPDM</b>	1	E70220	
	<b>Impeller O-Ring, Silicone</b>	1	S75220	
	<b>Impeller O-Ring, FFKM</b>	1	K75220	
	<b>Impeller O-Ring, PTFE ENCAPSULATED</b>	1	T80220	
5	Adapter, 143-184JM Frame, STD.	1	2-171	
	Adapter, 213-215JM Frame, STD.	1	2-172	
	Adapter, 254-256JM Frame, STD.	1	2-173	
	Adapter, 284-326JM Frame, STD.	1	2-174	
	Adapter, 143-184JM Frame, SS	1	114032	
	Adapter, 213-215JM Frame, SS	1	114033	
	Adapter, 254-256JM Frame, SS	1	113068	
	Adapter, 284-326JM Frame, SS	1	114080	
6	Seal Guard, 143-215JM Frame	1	70-24	
	Seal Guard for Machined Backplate, 284-326 Frame	1	114508	4
	Seal Guard, 254-256JM Frame	1	70-24	
	Seal Guard, 284-326JM Frame	1	70-25	
7	3/8-16 x 1" Hex Screw, 143-184JM Frame	4	30-30	
	1/2-13 x 1-1/4 Hex Screw, 213-256JM Frame	4	30-36X	
	5/8-11 x 1-1/2" Hex Screw, 284-326JM Frame	4	30-105	
8	3/8" Lockwasher	4	43-28	
	1/2" Lockwasher	4	43-16	
	5/8" Lockwasher	4	43-33	
* * * * *	<b>Casing O-Ring, FKM</b>	1	V70446	
	<b>Casing O-Ring, EPDM</b>	1	E70446	
	<b>Casing O-Ring, Silicone</b>	1	S75446	
	<b>Casing O-Ring, FFKM</b>	1	K75446	
	<b>Casing O-Ring, PTFE ENCAPSULATED</b>	1	T80446	
10	Backplate	1	1-61X	
11	Casing Clamp	1	119-69	
12	Key-3/16", 143-215JM, SM Bore	1	65-3	
	Key-1/4", 254-326JM, LG Bore	1	65-4	

PL5030-CH5

## NOTES

\* **Recommended Spare Parts - available as kits for standard seals - see page 18.**

1. Trimmed impellers use same part number and price; specify diameter required in 1/8" increments on order.
4. For machined backplates starting November, 2000.

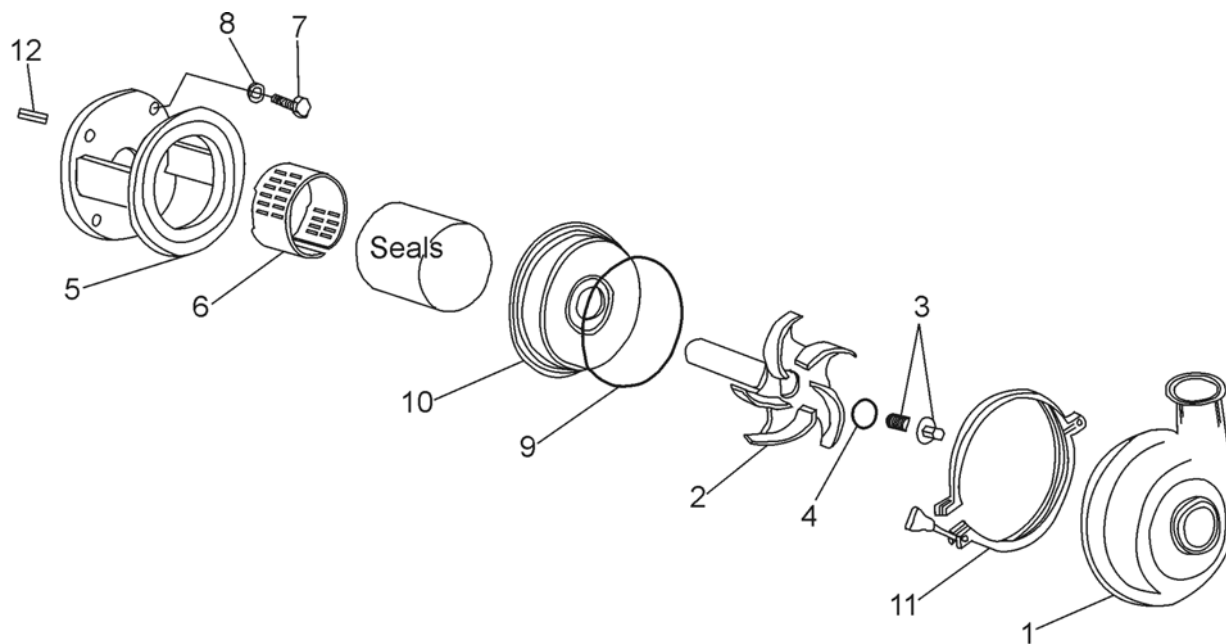
2075 CASING PARTS LIST

FITTING TYPE	SANITARY	NOTES
	3 x 1-1/2	
S-Line	CENTPT00669	
Bevel Seat	CENTPT00670	
I-Line; Female	CENTPT00671	
I-Line; Male	CENTPT00672	
Q-Line	CENTPT00673	
Weld	CENTPT00674	
NPT; Male	CENTPT00675	1
NPT; Female	CENTPT00676	1
150 LB. Flange	CENTPT00677	1

PL5030-CH6

NOTES:

1. These casings **do not** meet the requirements of 3A Sanitary Standards.



CT100-113a

## 2085LV - 2085 PUMP PARTS LIST

ITEM NO.	DESCRIPTION	QTY. PER PUMP	PART NO.	NOTES
1	Casing (see list following)	1		
2	2085LV Impeller, 8.7" Dia., 143-215JM, SM Bore	1	CENTPT00423	1
	2085LV Impeller, 8.7" Dia., 254-326JM, LG Bore	1	CENTPT00610	1
	2085 Impeller, 8.7" Dia., 143-215JM, SM Bore	1	CENTPT00611	1
	2085 Impeller, 8.7" Dia., 254-326JM, LG Bore	1	CENTPT00612	1
3	Impeller Retainer, 143-215JM, SM, Bore	1	129-771X	
	Impeller Retainer, 254-326JM, LG, Bore	1	129-772X	
* * * * *	<b>Impeller O-Ring, FKM</b>	1	V70220	
	<b>Impeller O-Ring, EPDM</b>	1	E70220	
	<b>Impeller O-Ring, Silicone</b>	1	S75220	
	<b>Impeller O-Ring, FFKM</b>	1	K75220	
	<b>Impeller O-Ring, PTFE ENCAPSULATED</b>	1	T80220	
5	Adapter, 143-184JM Frame, STD.	1	2-171	
	Adapter, 213-215JM Frame, STD.	1	2-172	
	Adapter, 254-256JM Frame, STD.	1	2-173	
	Adapter, 284-326JM Frame, STD.	1	2-174	
	Adapter, 143-184JM Frame, SS	1	114032	
	Adapter, 213-215JM Frame, SS	1	114033	
	Adapter, 254-256JM Frame, SS	1	113068	
	Adapter, 284-326JM Frame, SS	1	114080	
6	Seal Guard, 143-215JM Frame	1	70-24	
	Seal Guard for Machined Backplate, 284-326 Frame	1	114508	4
	Seal Guard, 254-256JM Frame	1	70-26	
	Seal Guard, 284-326JM Frame	1	70-25	
7	3/8-16 x 1" Hex Screw, 143-184JM Frame	4	30-30	
	1/2-13 x 1-1/4" Hex Screw, 213-256JM Frame	4	30-36X	
	5/8-11 x 1-1/2" Hex Screw, 284-326JM Frame	4	30-105	
8	3/8" Lockwasher	4	43-28	
	1/2" Lockwasher	4	43-16	
	5/8" Lockwasher	4	43-33	
* * * * *	<b>Casing O-Ring, FKM</b>	1	V70446	
	<b>Casing O-Ring, EPDM</b>	1	E70446	
	<b>Casing O-Ring, Silicone</b>	1	S75446	
	<b>Casing O-Ring, FFKM</b>	1	K75446	
	<b>Casing O-Ring, PTFE ENCAPSULATED</b>	1	T80446	
10	Backplate	1	1-61X	
11	Casing Clamp	1	119-69	
12	Key-3/16", 143-215JM, SM Bore	1	65-3	
	Key-1/4", 254-326JM, LG Bore	1	65-4	

PL5030-CH7

## NOTES:

\* **Recommended Spare Parts - available as kits for standard seals - see page 18.**

1. Trimmed impellers use same part number and price; specify diameter required in 1/8" increments on order.
4. For machined backplates starting November, 2000.

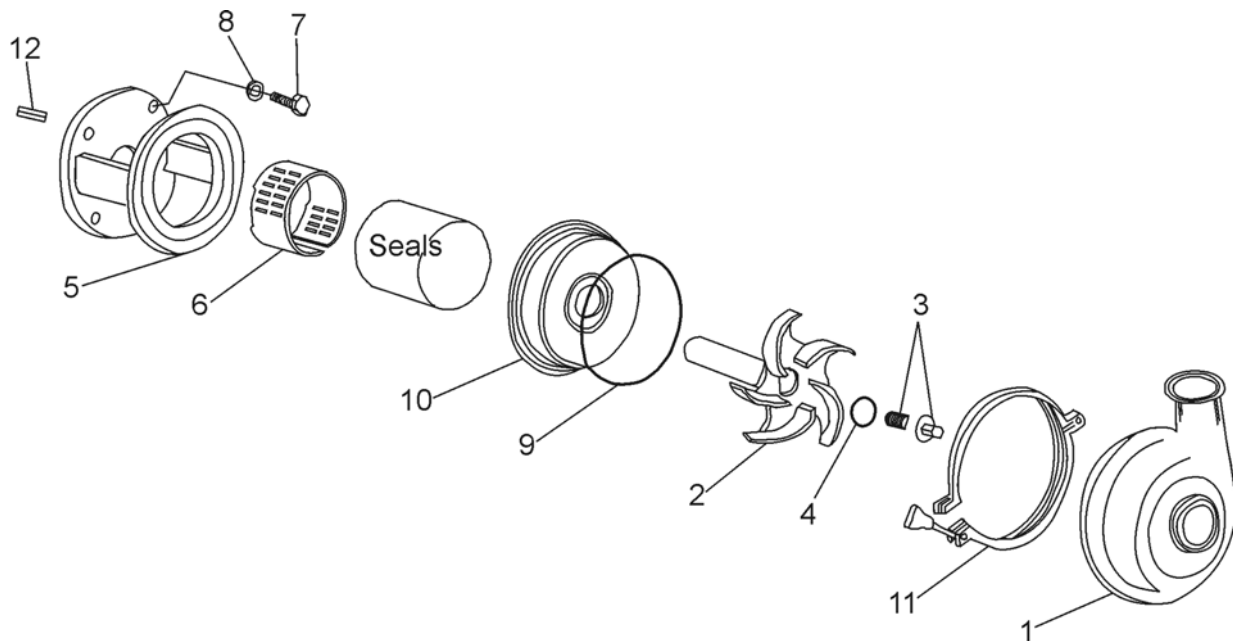
2085LV - 2085 CASING PARTS LIST

FITTING TYPE	2085LV SANITARY	2085 SANITARY		NOTES
	2 X 1-1/2	3 x 2-1/2	4 x 2-1/2	
S-Line	CENTPT00613	CENTPT00462	CENTPT00477	
Bevel Seat	CENTPT00614	CENTPT00615	CENTPT00616	
I-Line; Female	CENTPT00617	CENTPT00618	CENTPT00619	
I-Line; Male	CENTPT00620	CENTPT00621	CENTPT00622	
Q-Line	CENTPT00623	CENTPT00624	CENTPT00625	
Weld	CENTPT00626	CENTPT00627	CENTPT00628	
NPT; Male	CENTPT00629	CENTPT00630	CENTPT00631	1
NPT; Female	CENTPT00632	CENTPT00633	CENTPT00634	1
150 LB. Flange	CENTPT00635	CENTPT00636	CENTPT00637	1

PL5030-CH8

NOTES:

1. These casings **do not** meet the requirements of 3A Sanitary Standards.



CT100-113a

## 2105 PUMP PARTS LIST

ITEM NO.	DESCRIPTION	QTY. PER PUMP	PART NO.	NOTES
1	Casing (see list following)	1		
2	Impeller, 10.5" Dia., 184-215JM Frame SM Bore	1	CENTPT00643	1
	Impeller, 10.5" Dia., 254-326JM Frame LG Bore	1	CENTPT00644	1
3	Impeller Retainer, 184-214JM, SM Bore	1	129-771X	
	Impeller Retainer, 254-326JM, LG Bore	1	129-772X	
* * * * *	Impeller O-Ring, FKM	1	V70220	
	Impeller O-Ring, EPDM	1	E70220	
	Impeller O-Ring, Silicone	1	S75220	
	Impeller O-Ring, FFKM	1	K75220	
	Impeller O-Ring, PTFE ENCAPSULATED	1	T80220	
5	Adapter, 184JM Frame, STD	1	2-233	
	Adapter, 213-215JM Frame, STD.	1	2-230	
	Adapter, 254-256JM Frame, STD.	1	2-231	
	Adapter, 284-326JM Frame, STD.	1	2-232	
	Adapter, 184JM Frame, SS	1	114442	
	Adapter, 213-215JM Frame, SS	1	114443	
	Adapter, 254-256JM Frame, SS	1	114444	
	Adapter, 284-326JM Frame, SS	1	114445	
6	Seal Guard, 184JM Frame	1	70-23	
	Seal Guard for Machined Backplate	1	114508	4
	Seal Guard, 213-256JM Frame	1	70-24	
	Seal Guard, 284-326JM Frame	1	70-25	
7	3/8-16 x 1" Hex Screw, 184JM Frame	4	30-30	
	1/2-13 x 1-1/4" Hex Screw, 213-256JM Frame	4	30-36X	
	5/8-11 x 1-1/2" Hex Screw, 284-326JM Frame	4	30-105	
8	3/8" Lockwasher	4	43-28	
	1/2" Lockwasher	4	43-16	
	5/8" Lockwasher	4	43-33	
* * * * *	Casing O-Ring, FKM	1	V70450	
	Casing O-Ring, EPDM	1	E70450	
	Casing O-Ring, Silicone	1	S75450	
	Casing O-Ring, FFKM	1	K75450	
	Casing O-Ring, PTFE ENCAPSULATED	1	T80450	
10	Backplate	1	1-29X	
11	Casing Clamp	1	119-223	
12	Key-3/16", 184-215JM, SM Bore	1	65-3	
	Key-1/4", 254-326JM, LG Bore	1	65-4	

PL5030-CH9

## NOTES:

\* Recommended Spare Parts - available as kits for standard seals - see page 18.

1. Trimmed impellers use same part number and price; specify diameter required in 1/8" increments on order.

4. For machined backplates starting November, 2000.

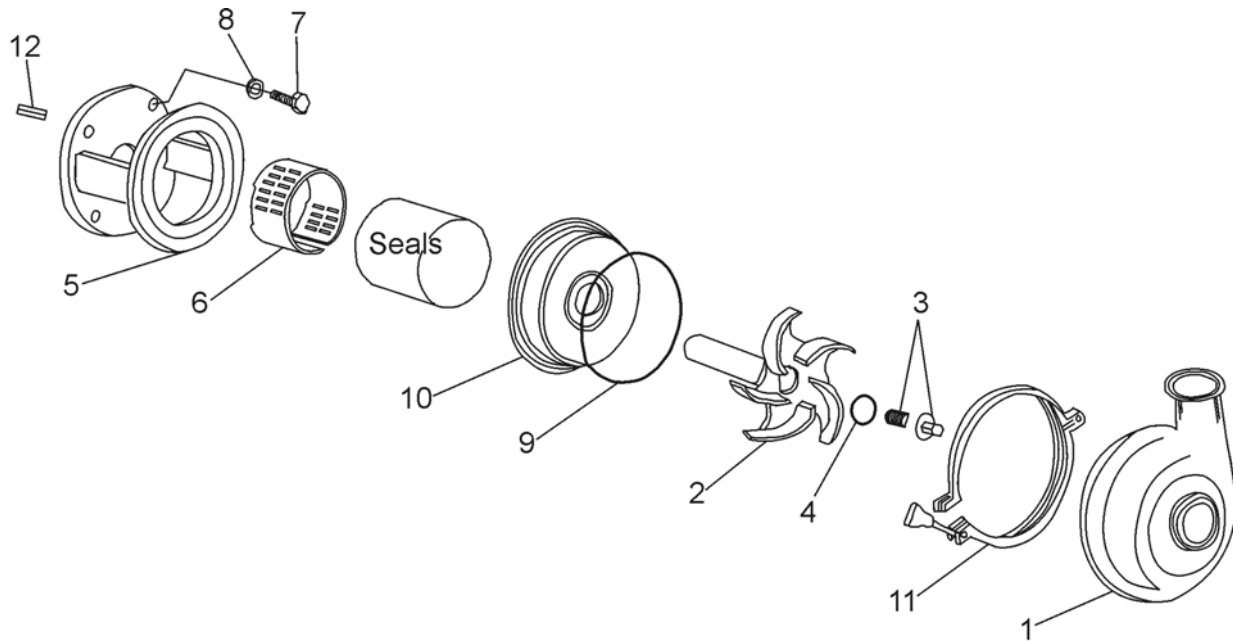
**2105 CASING PARTS LIST**

FITTING TYPE	SANITARY		NOTES
	4 X 4	6 X 4	
S-Line	CENTPT00645	CENTPT00646	
Bevel Seat	CENTPT00647	CENTPT00648	
I-Line; Female	CENTPT00649	CENTPT00650	
I-Line; Male	CENTPT00651	CENTPT00652	
Q-LINE	CENTPT00653	CENTPT00654	
Weld	CENTPT00655	CENTPT00656	
NPT; Male	CENTPT00657	CENTPT00658	1
NPT; Female	CENTPT00659	CENTPT00660	1
150 LB. Flange	CENTPT00661	CENTPT00662	1

PL5030-CH10

**NOTES:**

1. These casings **do not** meet the requirements of 3A Sanitary Standards.



CT100-113a

## TYPE 1 SEAL AND COMMON PARTS LIST

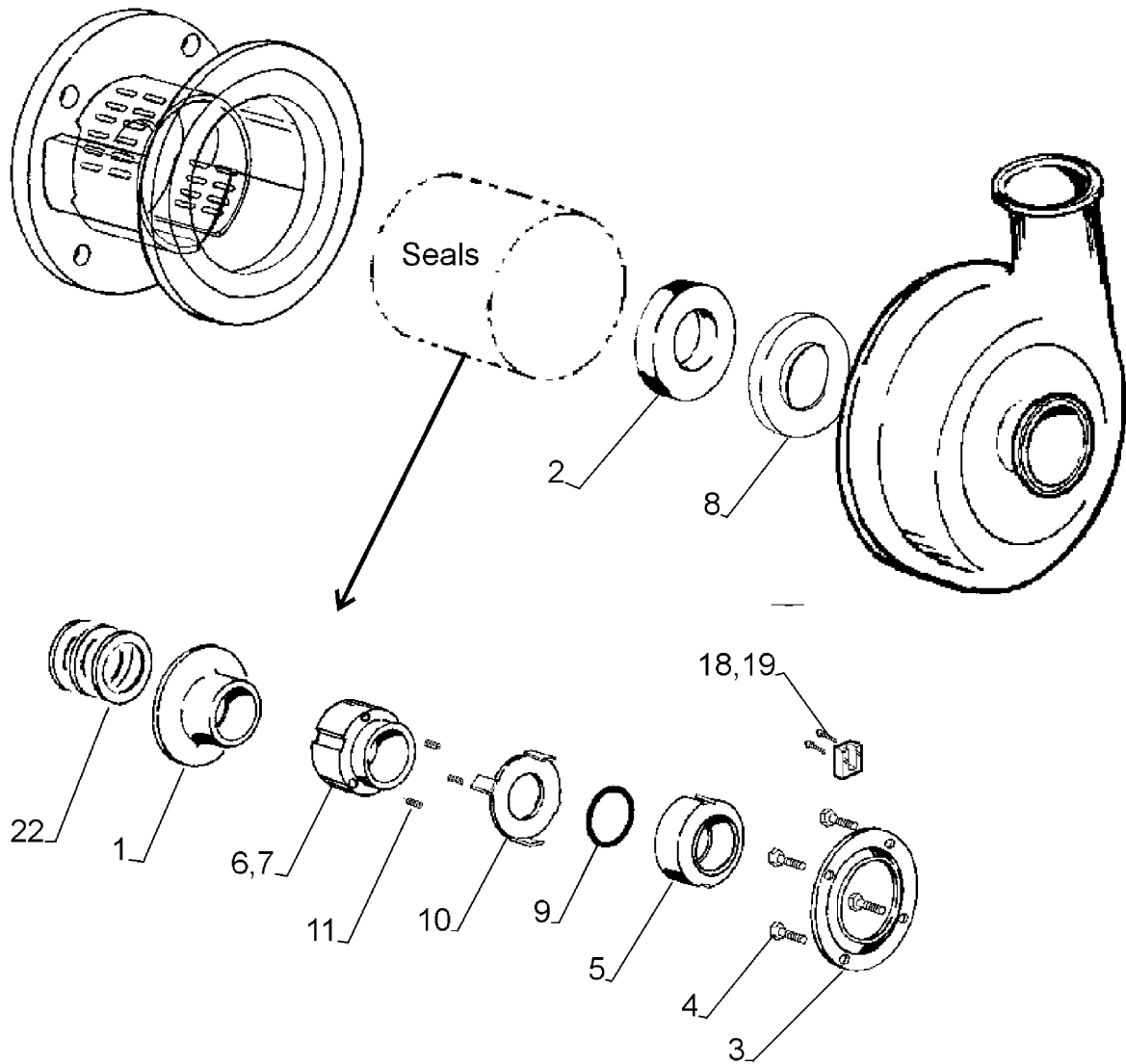
ITEM NO.	DESCRIPTION	QTY. PER PUMP	PART NO.	NOTES
1	Deflector	1	69-1	
*	<b>Stationary Seal, Siliconized Graphite</b>	<b>1</b>	<b>23-17</b>	
*	<b>Stationary Seal, Silicon Carbide</b>	<b>1</b>	<b>23-17A</b>	
*	<b>Stationary Seal, Tungsten Carbide</b>	<b>1</b>	<b>23-17F</b>	
3	Stationary Seal Retainer	1	23-78	
4	1/4-20 x 1/2 Bolt	4	30-62	
*	<b>Rotary Seal, Carbon</b>	<b>1</b>	<b>9-225A</b>	
*	<b>Rotary Seal, Siliconized Graphite</b>	<b>1</b>	<b>9-225B</b>	
*	<b>Rotary Seal, Silicon Carbide</b>	<b>1</b>	<b>9-225C</b>	
*	<b>Rotary Seal, Tungsten Carbide</b>	<b>1</b>	<b>9-225F</b>	
6	1/4-20 x 3/8 Set Screw	2	30-178	
7	Spring Retainer	1	23-77	
*	<b>L-Gasket, FKM</b>	<b>1</b>	<b>9-37</b>	
*	<b>L-Gasket, EPDM</b>	<b>1</b>	<b>9-37E</b>	
*	<b>L-Gasket, Silicone</b>	<b>1</b>	<b>9-37R</b>	
*	<b>L-Gasket, FFKM</b>	<b>1</b>	<b>9-37K</b>	
*	<b>L-Gasket, substitute, Teflon</b>	<b>1</b>	<b>20-278*</b>	
*	<b>*Part used with 20-278</b>	<b>1</b>	<b>T80041</b>	
*	<b>Seal O-Ring, FKM</b>	<b>1</b>	<b>V70224</b>	
*	<b>Seal O-Ring, EPDM</b>	<b>1</b>	<b>E70224</b>	
*	<b>Seal O-Ring, Silicone</b>	<b>1</b>	<b>S75224</b>	
*	<b>Seal O-Ring, FFKM</b>	<b>1</b>	<b>K75224</b>	
10	Washer, tabbed	1	43-87	
11	Spring	3	24-65	
18	Block, Water (For type 1 cascade)	1	134-2	
19	8-32 x 1/4 Screw (For type 1 cascade)	1	30-176	
20	1/4" Plastic Hose (For type 1 cascade)	1	74-1	
21	1/4" Hose Fitting (For type 1 cascade)	1	78-18	
22	Shim, 1" x .005" 143-215JM	as req'd	35-1	
	Shim, 1" x .010" 143-215JM		35-2	
	Shim, 1" x .020" 143-215JM		35-3	
	Shim, 1-3/8" x .005" 254-326JM		35-4	
	Shim, 1-3/8" x .010" 254-326JM		35-5	
	Shim, 1-3/8" x .020" 254-326JM		35-6	

PL5030-CH11

## NOTES:

\* Recommended Spare Parts - available as kits for standard seals - see page 18.

**TYPE 1 SEAL AND COMMON PARTS DIAGRAM**



Ct100-167

## TYPE 4 SEAL AND COMMON PARTS LIST

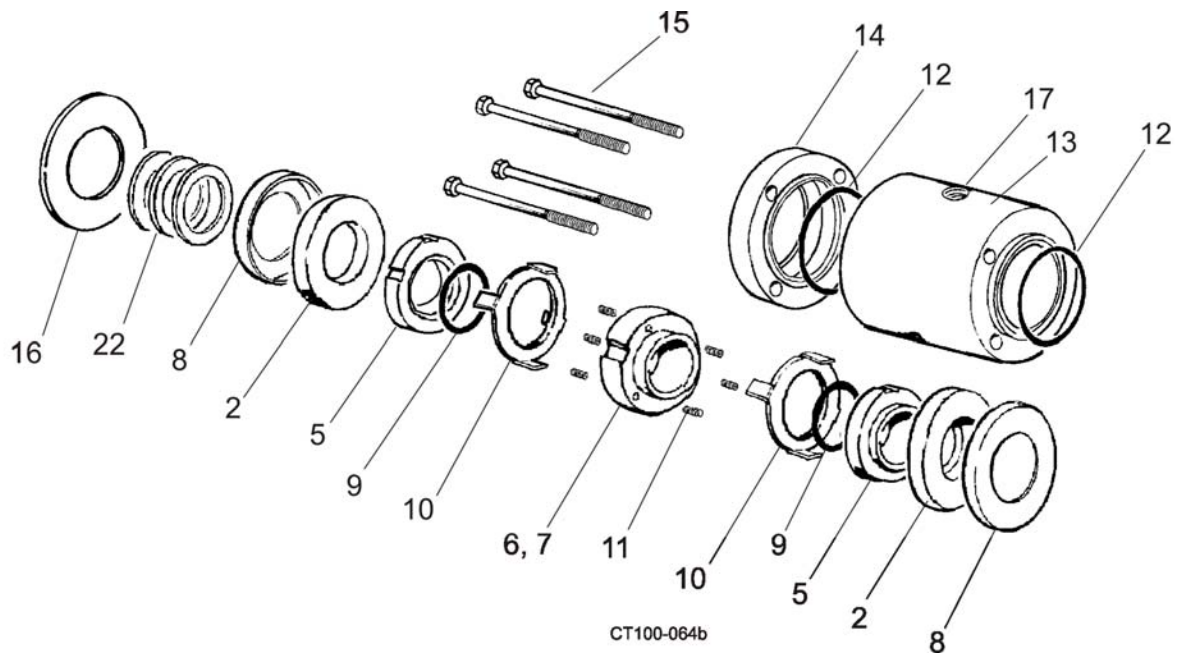
ITEM NO.	DESCRIPTION	QTY. PER PUMP	PART NO.	NOTES
* 2	Stationary Seal, Siliconized Graphite	2	23-17	
* 2	Stationary Seal, Silicon Carbide	2	23-17A	
* 2	Stationary Seal, Tungsten Carbide	2	23-17F	
* 5	Rotary Seal, Carbon	2	9-225A	
* 5	Rotary Seal, Siliconized Graphite	2	9-225B	
* 5	Rotary Seal, Silicon Carbide	2	9-225C	
* 5	Rotary Seal, Tungsten Carbide	2	9-225F	
6	1/4-20 x 3/8 Set Screw	2	30-178	
7	Spring Retainer	1	23-77	
* 8	L-Gasket, FKM	2	9-37	
* 8	L-Gasket, EPDM	2	9-37E	
* 8	L-Gasket, Silicone	2	9-37R	
* 8	L-Gasket, FFKM	2	9-37K	
* 8	L-Gasket, substitute, Teflon	2	20-278*	
* 8	*Part used with 20-278	2	T80041	
* 9	Seal O-Ring, FKM	2	V70224	
* 9	Seal O-Ring, EPDM	2	E70224	
* 9	Seal O-Ring, Silicone	2	S75224	
* 9	Seal O-Ring, FFKM	2	K75224	
10	Washer, tabbed	2	43-87	
11	Spring	6	24-65	
* 12	O-Ring, Housing, FKM	2	V70039	
13	Housing, Seal	1	23-80	
14	Retainer, Seal	1	23-79	
15	1/4-20 x 3 Cap Screw	4	30-175	
16	Slinger, 143-215JM	1	69-4	
16	Deflector, 254-326JM	1	69-1	
17	1/4" NPT Plug	2	78-155	
22	Shim, 1" x .005" 143-215JM	as req'd	35-1	
22	Shim, 1" x .010" 143-215JM		35-2	
22	Shim, 1" x .020" 143-215JM		35-3	
22	Shim, 1-3/8" x .005" 254-326JM		35-4	
22	Shim, 1-3/8" x .010" 254-326JM		35-5	
22	Shim, 1-3/8" x .020" 254-326JM		35-6	

PL5030-CH12

## NOTES:

\* Recommended Spare Parts - available as kits for standard seals - see page 18.

**TYPE 4 SEAL AND COMMON PARTS DIAGRAM**



**TYPE 1 SEAL KITS**

**TYPE 1 BASIC SEAL KIT**

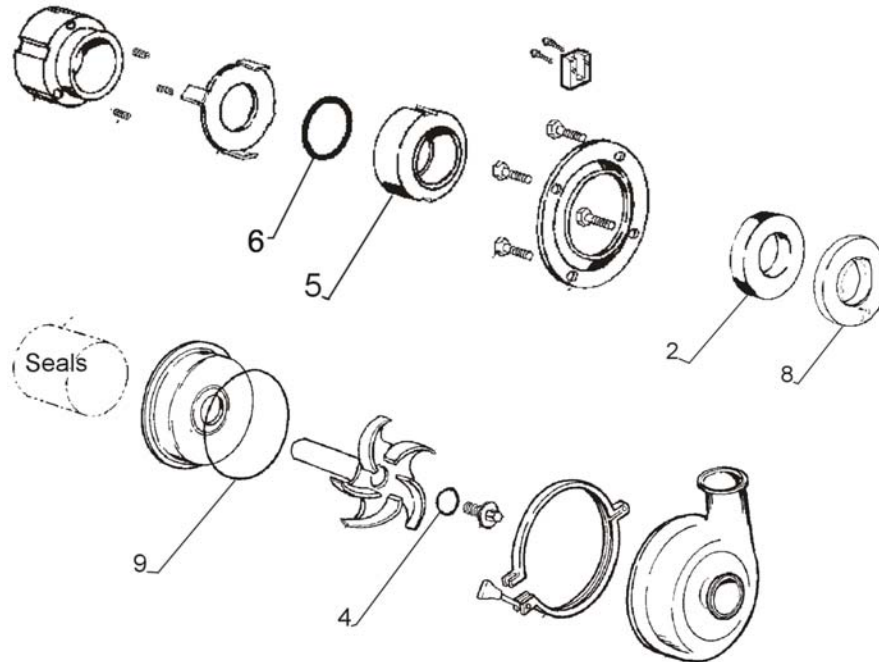
KIT CONTAINS		QTY. REQ. PER PUMP	QTY. IN TYPE 1 BASIC KIT	2045	2065LV 2065 2065HV	2075	2085LV 2085	2105
ITEM NO.	DESCRIPTION			2045	2065LV 2065 2065HV	2075	2085LV 2085	2105
4	Impeller Retainer O-Ring, FKM	1	1	V70214	V70220	V70220	V70220	V70220
5	Rotary Seal, Carbon	1	1	9-225A	9-225A	9-225A	9-225A	9-225A
6	Seal O-Ring, FKM	1	1	V70224	V70224	V70224	V70224	V70224
9	Casing O-Ring, FKM	1	1	V70252	V70439	V70446	V70446	V70450
<b>KIT PART NUMBER</b>				309-241	309-242	309-243	309-243	309-244

PL5030-CH13

**TYPE 1 COMPLETE SEAL KIT**

KIT CONTAINS		QTY. REQ. PER PUMP	QTY. IN TYPE 1 BASIC KIT	2045	2065LV 2065 2065HV	2075	2085LV 2085	2105
ITEM NO.	DESCRIPTION			2045	2065LV 2065 2065HV	2075	2085LV 2085	2105
2	Stationary Seal, Uteqpk of I ter j sg	3	3	23-17	45/39	45/39	45/39	45/39
4	Impeller Retainer O-Ring, FKM	1	1	V70214	V70220	V70220	V70220	V70220
5	Rotary Seal, Carbon	1	1	9-225A	9-225A	9-225A	9-225A	9-225A
6	Seal O-Ring, FKM	1	1	V70224	V70224	V70224	V70224	V70224
8	L-Gasket, FKM	1	1	9-37	9-37	9-37	9-37	9-37
9	Casing O-Ring, FKM	1	1	V70252	V70439	V70446	V70446	V70450
<b>KIT PART NUMBER</b>				309-245	309-246	309-247	309-247	309-248

PL5030-CH14



CT100-172

**TYPE 4 SEAL KITS**

**TYPE 4 BASIC SEAL KIT**

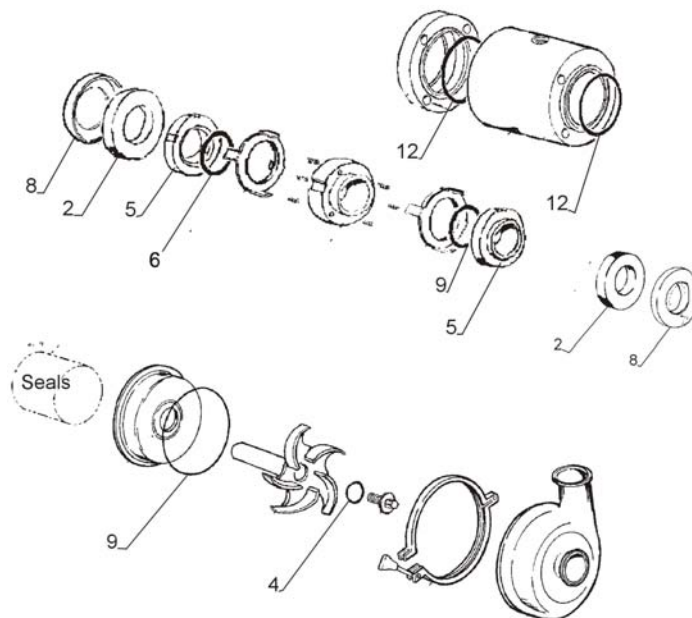
KIT CONTAINS		QTY. REQ. PER PUMP	QTY. IN TYPE 1 BASIC KIT	2045	2065LV 2065 2065HV	2075	2085LV 2085	2105
ITEM NO.	DESCRIPTION			2045	2065LV 2065 2065HV	2075	2085LV 2085	2105
4	Impeller Retainer O-Ring, FKM	1	1	V70214	V70220	V70220	V70220	V70220
5	Rotary Seal, Carbon	2	2	9-225A	9-225A	9-225A	9-225A	9-225A
6	Seal O-Ring, FKM	2	2	V70224	V70224	V70224	V70224	V70224
9	Casing O-Ring, FKM	1	1	V70252	V70439	V70446	V70446	V70450
12	Seal Housing O-Ring, FKM	2	2	V70039	V70039	V70039	V70039	V70039
<b>KIT PART NUMBER</b>				309-249	309-250	309-251	309-251	309-252

PL5030-CH15

**TYPE 4 COMPLETE SEAL KIT**

KIT CONTAINS		QTY. REQ. PER PUMP	QTY. IN TYPE 1 BASIC KIT	2045	2065LV 2065 2065HV	2075	2085LV 2085	2105
ITEM NO.	DESCRIPTION			2045	2065LV 2065 2065HV	2075	2085LV 2085	2105
2	Stationary Seal, Urethane	4	4	43-17	45/39	45/39	45/39	45/39
4	Impeller Retainer O-Ring, FKM	1	1	V70214	V70220	V70220	V70220	V70220
5	Rotary Seal, Carbon	2	2	9-225A	9-225A	9-225A	9-225A	9-225A
6	Seal O-Ring, FKM	2	2	V70224	V70224	V70224	V70224	V70224
8	L-Gasket, FKM	2	2	9-37	9-37	9-37	9-37	9-37
9	Casing O-Ring, FKM	1	1	V70252	V70439	V70446	V70446	V70450
12	Seal Housing O-Ring, FKM	2	2	V70039	V70039	V70039	V70039	V70039
<b>KIT PART NUMBER</b>				309-253	309-254	309-255	309-255	309-256

PL5030-CH16



CT100-173

## STYLE "C" SMALL BORE PEDESTAL PARTS LIST

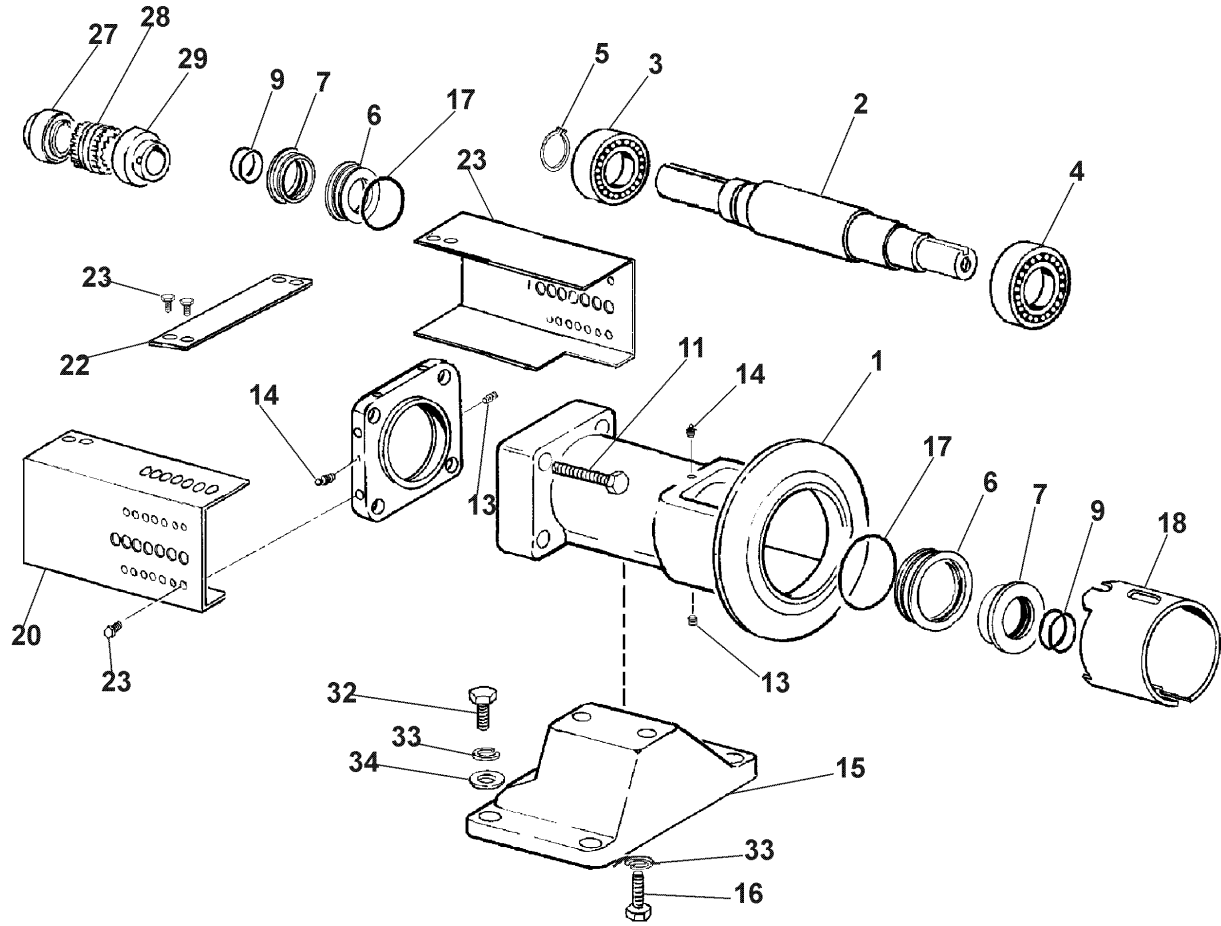
ITEM NO.	DESCRIPTION	QTY. PER PUMP	PART NO.	NOTES
1	Bearing Housing, 2045	1	68-6	
	Bearing Housing, 2065	1	68-7	
	Bearing Housing, 2075 - 2085	1	68-8	
2	Shaft	1	62-528X	
* 3	<b>Rear Bearing</b>	1	23-101	
* 4	<b>Front Bearing</b>	1	23-100	
* 5	<b>Retaining Ring</b>	1	43-139	
6	Seal, Outer	2	23-90	
7	Seal, Inner	2	23-89	
* 9	<b>O-Ring, Inner</b>	4	N70031	
11	1/2-13 x 2 HHCS	4	30-138X	
13	1/4-20 x 3/8" SHSS	2	30-178	
14	Grease Fitting	2	BD0092000	
15	Stand	1	4-34	
16	1/2-13 x 1" HHCS	2	30-78X	
* 17	<b>O-Ring, Outer</b>	2	N70041	
18	Seal Guard, 2045	1	70-32	
	Seal Guard, 2065 / 2085, Small Bore	1	70-33	
20	Cover Coupling, L.H.	1	70-29	
21	Cover Coupling, R.H.	1	70-30	
22	Brace, Cover Coupling	1	2-251	
23	1/4-20 x 1/2" HHCS	8	30-62	
26	End Cap Housing, Small Bore	1	23-92	
27	56 Frame Coupling Half .625W	1	11-37	
	143T-145T Frame Coupling Half .875" 5S	1	11-101	
	182T-184T Frame Coupling Half 1.125" 5S	1	11-102	
	213T-215T Frame Coupling Half 1.375" 6S	1	11-103	
	254T-256T Frame Coupling Half 1.625" 7S	1	11-41	
28	56 Frame Coupling Sleeve 4J	1	11-29	
	143T-184T Frame Coupling Sleeve 5JE	1	11-30	
	213T-215T Frame Coupling Sleeve 6JE	1	11-31	
	254T-256T Frame Coupling Sleeve 7JE	1	11-32	
29	56 Frame Coupling Half 1.0" 4J	1	11-95	
	143T-184T Frame Coupling Half 1.0" 5S	1	11-94	
	213T-215T Frame Coupling Half 1.0" 6S	1	11-96	
	254T-256T Frame Coupling Half 1.0" 7S	1	11-97	
32	1/2-13 x 1-1/2" HHCS	4	30-103	
33	1/2" Washer	6	43-31	
34	1/2" Lockwasher	4	43-16	

PL5030-CH17

## NOTES:

\* Recommended Spare Parts

**STYLE "C" SMALL BORE PEDESTAL DIAGRAM**



CT100-175

<b>SMALL BORE PEDESTAL FOR:</b>
<b>MP2045</b> FOR MOTOR FRAME SIZE UP TO 215JM
<b>MP2065LV</b> FOR MOTOR FRAME SIZE UP TO 256T
<b>MP2065</b> FOR MOTOR FRAME SIZE UP TO 256T
<b>MP2065HV</b> FOR MOTOR FRAME SIZE UP TO 256T
<b>MP2085LV</b> FOR MOTOR FRAME SIZE UP TO 256T
<b>MP2085</b> FOR MOTOR FRAME SIZE UP TO 256T

## STYLE "C" LARGE BORE PEDESTAL PARTS LIST

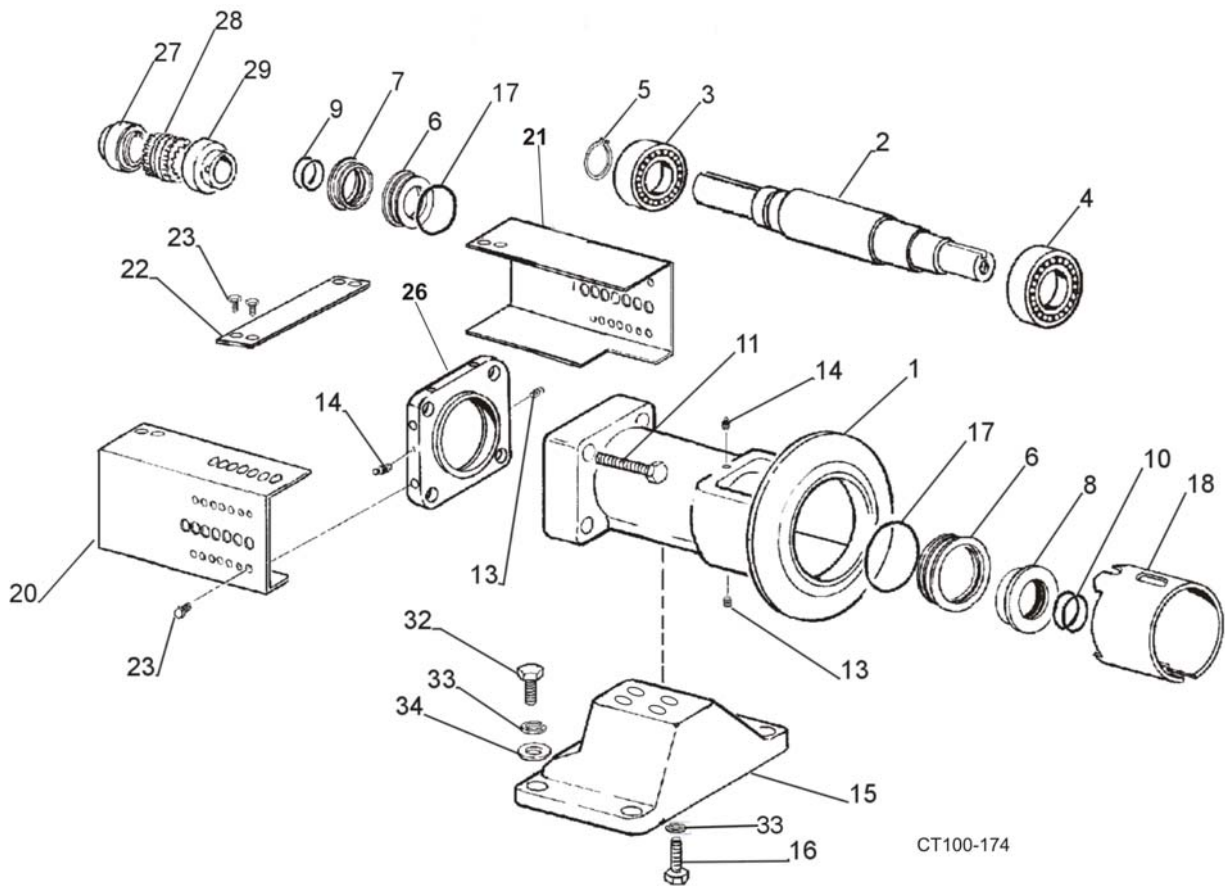
ITEM NO.	DESCRIPTION	QTY. PER PUMP	PART NO.	NOTES
1	Bearing Housing, 2065	1	68-9	
	Bearing Housing, 2075 - 2085	1	68-10	
	Bearing Housing, 2105	1	68-11	
2	Shaft	1	62-539X	
* 3	<b>Rear Bearing</b>	1	23-98	
* 4	<b>Front Bearing</b>	1	23-99	
* 5	<b>Retaining Ring</b>	1	43-138	
6	Seal, Outer	2	23-95	
7	Seal, Inner	1	23-94	
8	Seal, Inner	1	23-93	
* 9	<b>O-Ring, Buna N, Inner</b>	2	N70035	
* 10	<b>O-Ring, Buna N, Inner</b>	2	N70033	
11	1/2-13 x 3-1/4" HHCS	4	30-221X	
13	1/4-20 x 3/8" SHSS	2	30-178	
14	Grease Fitting	2	BD0092000	
15	Stand	1	4-35	
16	1/2-13 x 1-1/4" HHCS	4	30-36X	
* 17	<b>O-Ring, Buna N, Outer</b>	2	N70045	
18	Seal Guard, 2065 / 2085	1	70-33	
	Seal Guard, 2105	1	70-37	
20	Cover Coupling, L.H.	1	70-35	
21	Cover Coupling, R.H.	1	70-36	
22	Brace, Cover Coupling	1	2-252	
23	1/4-20 x 1/2" HHCS	8	30-62	
26	End Cap Housing, Large Bore	1	23-97	
27	213T-215T Frame Coupling Half 1.375" 6S	1	11-103	
	254T-256T Frame Coupling Half 1.625" 7S	1	11-41	
	284T-286T Frame Coupling Half 1.875" 7S	1	11-105	
	324T-326T Frame Coupling Half 2.125" 8S	1	11-106	
	364T-365T Frame Coupling Half 2.375" 8S	1	11-107	
28	213T-215T Frame Coupling Sleeve 6JE	1	11-31	
	254T-286T Frame Coupling Sleeve 7JE	1	11-32	
	324T-326T Frame Coupling Sleeve 8JE	1	11-33	
	364T-365T Frame Coupling Sleeve 8H	1	11-108	
29	213T-215T Coupling Half 1.250" 6S	1	11-98	
	254T-286T Coupling Half 1.250" 7S	1	11-99	
	324T-365T Coupling Half 1.250" 8S	1	11-100	
32	1/2-13 x 1-1/2" HHCS	4	30-103X	
33	1/2" Washer	4	43-31	
34	1/2" Lockwasher	4	43-16	

PL5030-CH18

## NOTES:

\* Recommended Spare Parts

**STYLE "C" LARGE BORE PEDESTAL DIAGRAM**



<b>LARGE BORE PEDESTAL FOR:</b>
<b>MP2065</b> FOR MOTOR FRAME SIZE 284T THROUGH 365T
<b>MP2065HV</b> FOR MOTOR FRAME SIZE 284T THROUGH 365T
<b>MP2085LV</b> FOR MOTOR FRAME SIZE 284T THROUGH 365T
<b>MP2085</b> FOR MOTOR FRAME SIZE 284T THROUGH 365T
<b>MP2105</b> FOR MOTOR FRAME SIZE 284T THROUGH 365T

## 2085MS PUMP PARTS LIST

ITEM NO.	DESCRIPTION	QTY. PER EACH	PART NO.	NOTES
1	Hex Cover Nut	16	108339	
2	Cover	1	108347	
3	Impeller, 1st Stage	1	108343	
4	Baffle	1	108349	
5	Casing, 2-1/2" x 1-1/2" w/ S-Line Ports	1	108344	1
6	Impeller, 2nd Stage	1	108342	
* 7	<b>Backplate O-Ring, FKM</b>	3	V70450	
8	Backplate	1	108346	
9	Ring	1	108345	
* 10	<b>Baffle O-Ring, FKM</b>	2	V70273	
* 11	<b>Impeller Retainer O-Ring, FKM</b>	1	V70220	
12	Impeller Retainer	1	129-772X	
13	3/4-16 x 2.8 Front Casing Stud	8	108340	
14	3/4-16 x 3.5 Rear Casing Stud	8	108341	
* 15	<b>Impeller O-Ring, FKM</b>	1	V70222	
16	Key	1	110805	

PL5030-CH19

## 2085MS TYPE 4 SEAL AND COMMON PARTS LIST

ITEM NO.	DESCRIPTION	QTY. PER PUMP	PART NO.	NOTES
* 1	<b>Rotary Seal, Carbon</b>	1	9-225A	
2	Retainer, Seal	1	23-79	
3	1/4-20 x 3 Cap Screw	4	30-175	
* 4	<b>Stationary Seal, Siliconized Graphite</b>	1	23-17	
5	Housing, Seal	1	23-80	
6	Spring	6	24-65	
7	Spring Retainer	1	23-77	
8	Washer, Tabbed	2	43-87	
* 9	<b>O-Ring, Housing, FKM</b>	2	V70039	
* 10	<b>Stationary Seal, Silicon Carbide</b>	1	23-17A	
* 11	<b>L-Gasket, FKM</b>	2	9-37	
* 12	<b>Rotary Seal, Silicon Carbide</b>	1	9-225C	
* 13	<b>Seal O-Ring, FKM</b>	2	V70224	
14	1/4-20 x .375 Set Screw	4	30-178	
15	1/4" NPT Plug	1	78-155	

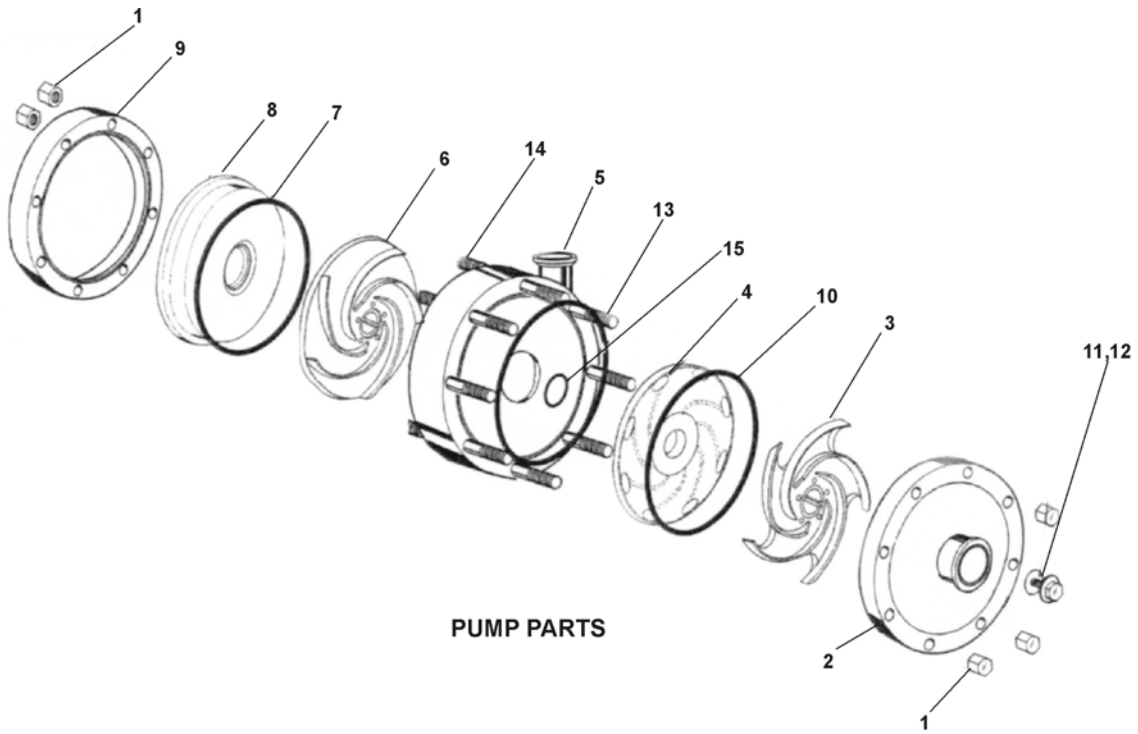
PL5030-CH20

## NOTES:

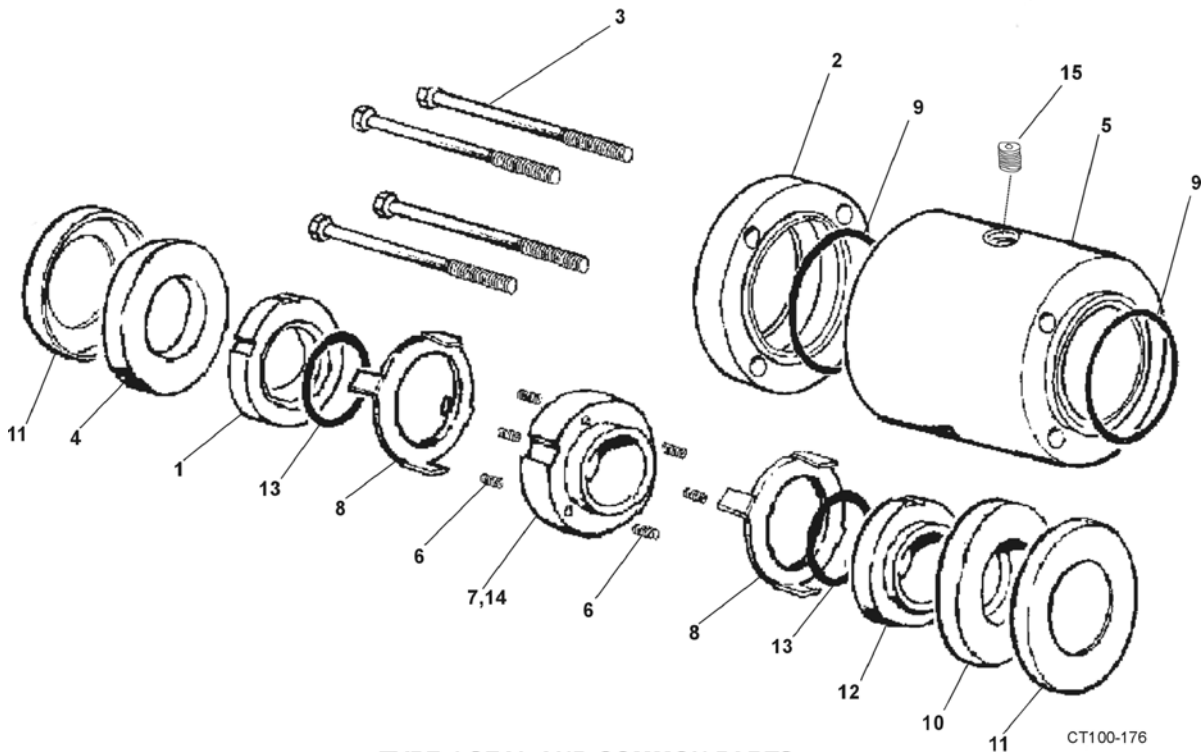
## \* Recommended Spare Parts

- Contact factory for other port connections.

2085MS PARTS DIAGRAM



PUMP PARTS



TYPE 4 SEAL AND COMMON PARTS

CT100-176

2085LR PUMP PARTS LIST

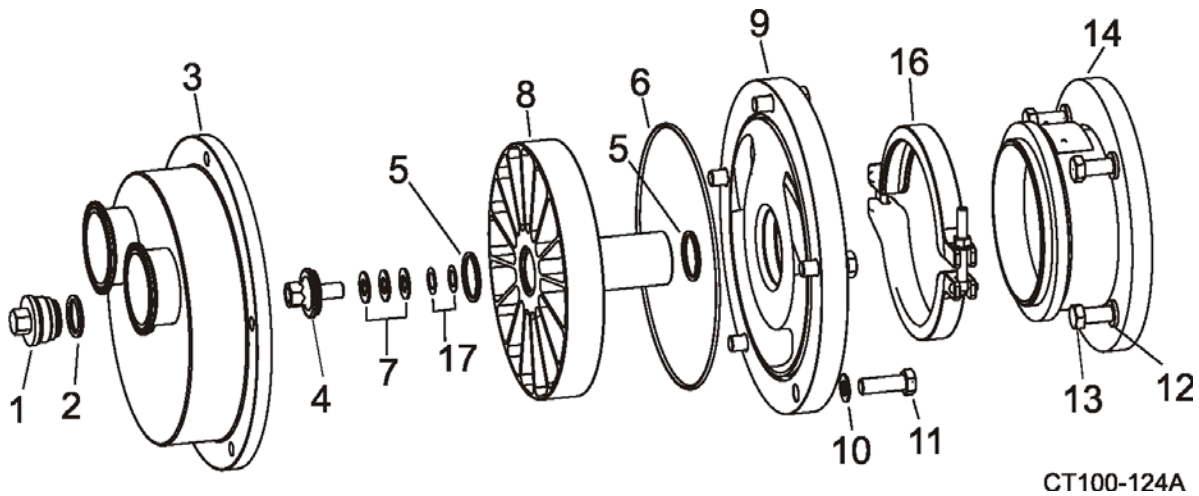
ITEM NO.	DESCRIPTION	QTY. PER EACH	PART NO.	NOTES
1	Inspection Plug	1	115162	
* 2	Plug O-Ring, FKM	1	V70215	
3	Casing, 2-1/2" x 2-1/2" w/ S-Line Ports	1	115160	1
4	Impeller Retainer	1	115163	
* 5	O-Ring, Impeller Retainer, FKM	1	V70220	
* 6	Casing O-Ring, FKM	1	V70267	
7	1/2 Washer, Belleville	3	43-243	
8	Impeller	1	114911	
9	Backplate	1	115161	
10	1/2 Washer	5	43-31X	
11	1/2-13 x 1 1/2 Hex Screw	5	30-103X	
12	1/2 Lockwasher	4	43-16	
13	1/2-13 x 1 1/4 Hex Screw	4	30-36X	
14	Adapter, 254-256JM, SS	1	115169	
15	Key	1	65-4	
16	Clamp	1	119-71	
17	Washer Shims	As Req'd	43-244	

PL5030-CH21

NOTES:

\* Recommended Spare Parts

1. Contact factory for other port connections.
3. See page 14 for Type 1 seal and common parts. 2085LR uses all 200 series seals and common parts.
4. See page 16 for Type 4 seal and common parts. 2085LR uses all 200 series seals and common parts.



2085HPLV - 2085HP PUMP PARTS LIST

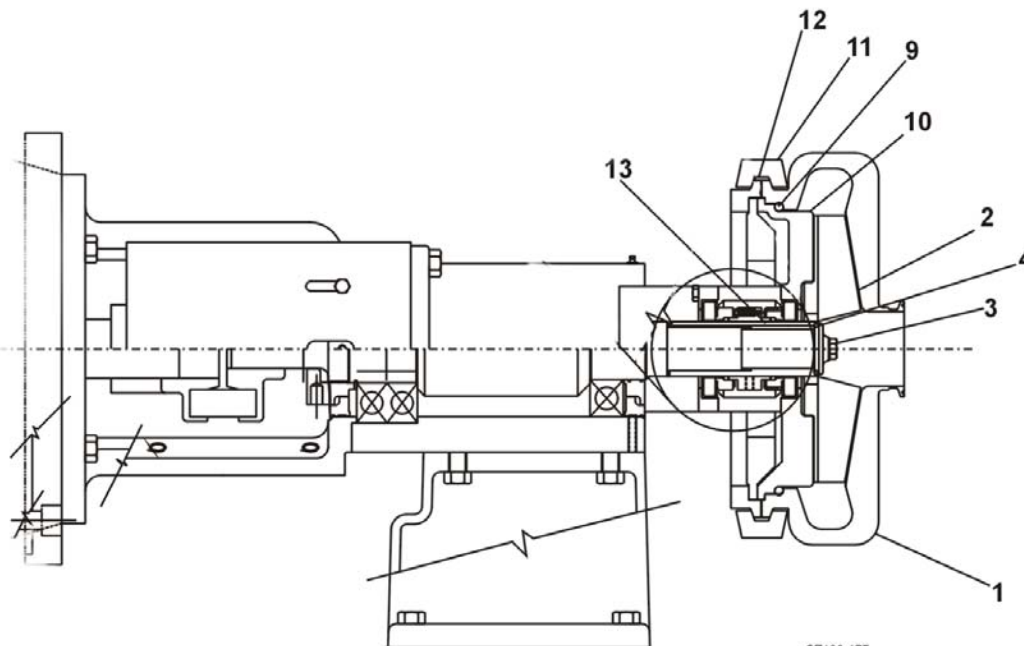
ITEM NO.	DESCRIPTION	QTY. PER PUMP	PART NO.	NOTES
1	Casing (See List Following)	1		
2	2085HPLV Impeller, 8.7" Diameter, LG Bore	1	CENTPT00663	1
	2085HP Impeller, 8.7" Diameter, LG Bore	1	CENTPT00664	1
3	Impeller Retainer, LG Bore	1	129-772X	
* 4	O-Ring, FKM, Impeller Retainer	1	V70220	
* 4	O-Ring, EPDM, Impeller Retainer	1	E70220	
* 4	O-Ring, Silicone, Impeller Retainer	1	S75220	
* 4	O-Ring, FFKM, Impeller Retainer	1	K75220	
* 4	O-Ring, PTFE Encapsulated, Impeller Retainer	1	T80220	
* 9	Casing O-Ring, FKM	1	V70446	
* 9	Casing O-Ring, EPDM	1	E70446	
* 9	Casing O-Ring, Silicone	1	S75446	
* 9	Casing O-Ring, FFKM	1	K75446	
* 9	Casing O-Ring, PTFE Encapsulated	1	T80446	
10	Backplate	1	1-65	
11	Casing Clamp	1	119-89	
12	Ring, Clamp	1	2-254	
13	Key-1/4", 254-326JM, LG Bore	1	65-4	

PL5030-CH22

NOTES:

\* Recommended Spare Parts

1. Trimmed impellers use same part number and prices; specify diameter required in 1/8" increments on order.
2. See page 16 for Type 4 seals and common parts.



---

**2085HPLV - 2085HP CASING PARTS LIST**

FITTING TYPE	2085HPLV SANITARY	2085HP SANITARY	NOTES
	2 X 1-1/2	2-1/2 X 2	
S-Clamp	CENTPT00665	CENTPT00666	
Bevel Seat	Contact Factory	Contact Factory	
I-Line; Female	Contact Factory	Contact Factory	
I-Line; Male	Contact Factory	Contact Factory	
Q-Clamp	Contact Factory	Contact Factory	
Weld	Contact Factory	Contact Factory	
NPT; Male	Contact Factory	Contact Factory	1
NPT; Female	Contact Factory	Contact Factory	1
150 LB. Flange	Contact Factory	Contact Factory	1

PL5030-CH23

**NOTES:**

1. These casings **do not** meet the requirements of 3A Sanitary Standards.

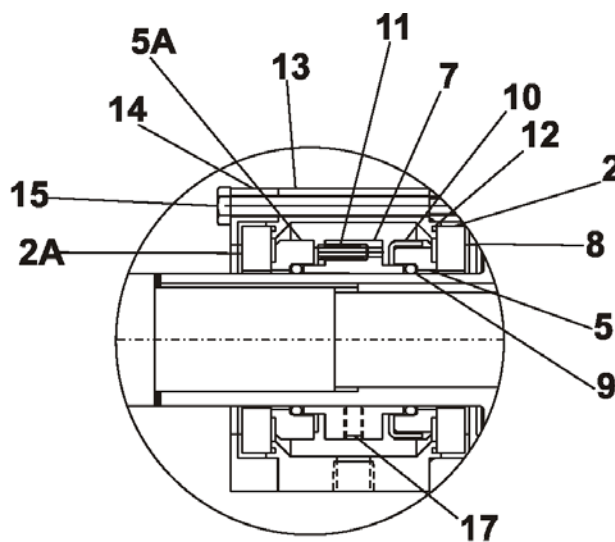
2085HPLV - 2085HP TYPE 4 SEAL PARTS LIST

ITEM NO.	DESCRIPTION	QTY. PER PUMP	PART NO.	NOTES
* 2	Stationary Seal, Silicon Carbide, STD.	1	23-17A	
* 2	Stationary Seal, Tungsten Carbide	1	23-17F	
* 2A	Stationary Seal, Siliconized Graphite	1	23-17	
* 5	Rotary Seal, Silicon Carbide, STD.	1	9-225C	
* 5	Rotary Seal, Tungsten Carbide	1	9-225F	
* 5A	Rotary Seal, Carbon	1	9-225A	
7	Spring Retainer	1	23-114	
* 8	L-Gasket, FKM	2	9-37	
* 8	L-Gasket, EPDM	2	9-37E	
* 8	L-Gasket, Silicone	2	9-37R	
* 8	L-Gasket, FFKM	2	9-37K	
* 8	L-Gasket, substitute, Teflon	2	20-278*	
* 8	*Part used 20-278	2	T80041	
* 9	Seal O-Ring, FKM	2	V70224	
* 9	Seal O-Ring, EPDM	2	E70224	
* 9	Seal O-Ring, Silicone	2	S75224	
* 9	Seal O-Ring, FFKM	2	K75224	
10	Washer, Tabbed	2	43-87	
11	Spring	6	24-65	
* 12	O-Ring, Housing, FKM	2	V70039	
13	Housing, Seal	1	23-115	
14	Retainer, Seal	1	23-116	
15	1/4-20 x 3" Cap Screw	4	30-175	
17	1/4-20 x .375" SHSS	4	30-178	

PL5030-CH24

NOTES:

\* Recommended Spare Parts



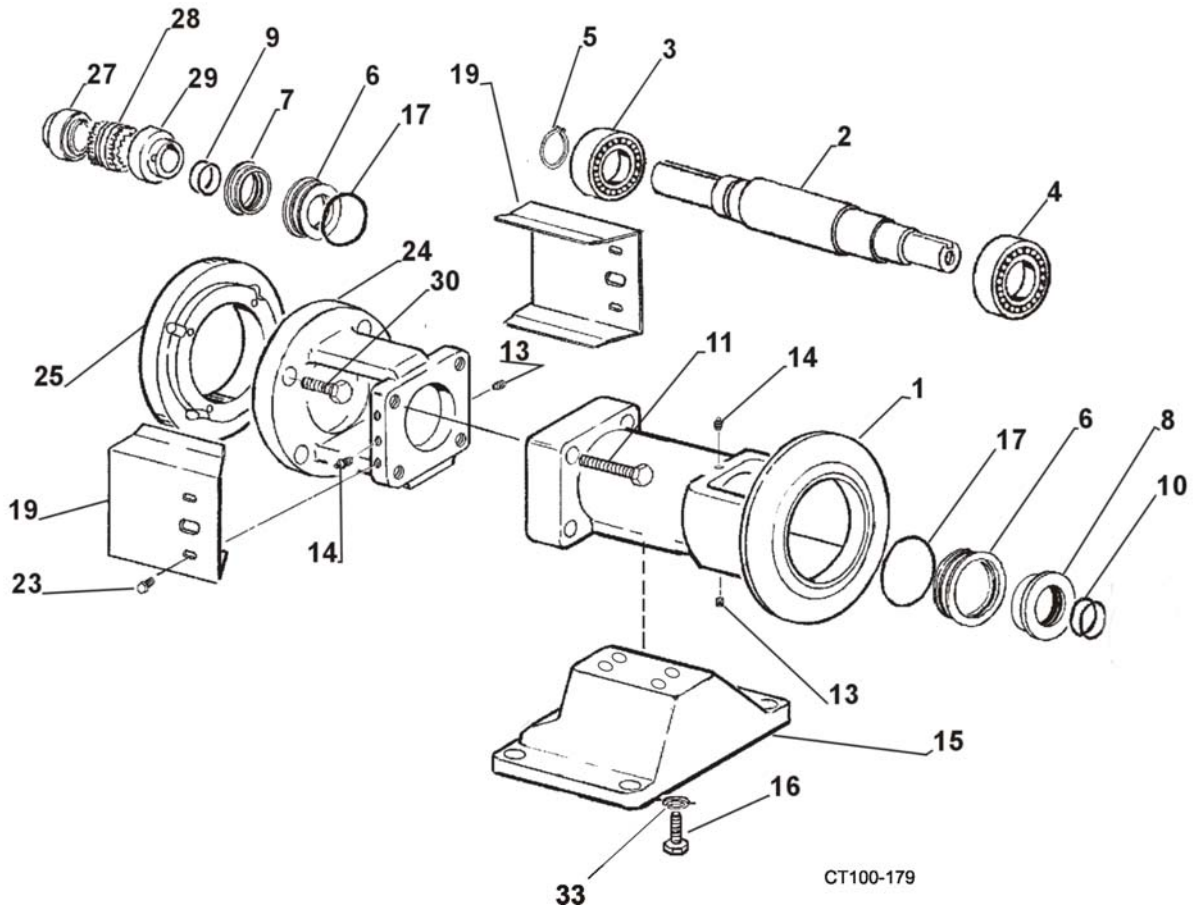
CT100-178

**2085HPLV - 2085HP STYLE "B" LARGE BORE PEDESTAL PARTS LIST**

ITEM NO.	DESCRIPTION	QTY. PER PUMP	PART NO.	NOTES
1	Bearing Housing	1	68-12	
2	Shaft	1	62-539X	
3	Rear Bearing	1	23-98	
4	Front Bearing	1	23-99	
5	Retaining Ring	1	43-138	
6	Seal, Outer	2	23-95	
7	Seal, Inner	1	23-94	
8	Seal, Inner	1	23-93	
9	O-Ring, Inner, Buna N	2	N70035	
10	O-Ring, Inner, Buna N	2	N70033	
11	1/2-13 x 3-1/4" HHCS	4	30-221X	
13	1/4-20 x 3/8" SHSS	2	30-178	
14	Grease Fitting	2	BD0092000	
15	Stand	1	4-35	
16	1/2-13 x 1-1/4" HHCS	4	30-21	
17	O-Ring, Outer, Buna N	2	N70045	
19	Cover, Coupling	2	70-34	
23	1/4-20 x 1/2" HHCS	4	30-62	
24	Adapter	1	2-250	
25	Spacer Adapter, 324-326TC	1	4-136	
	Spacer Adapter, 364-365TC	1	4-137	
27	213TC-215TC Frame Coupling Half 1.375" 6S	1	11-103	
	254TC-256TC Frame Coupling Half 1.625" 7S	1	11-41	
	284TC-286TSC Fr. Coupling Half 1.875" 7SC 35	1	11-109	
	324TC-326TSC Fr. Coupling Half 2.125" 8SC 35	1	11-111	
28	213TC-215TC Frame Coupling Sleeve 6JE	1	11-31	
	254TC-256TC Frame Coupling Sleeve 7JE	1	11-32	
	324TC-326TSC Frame Coupling Sleeve 8JE	1	11-33	
	364T-365TSC Frame Coupling Sleeve 8H	1	11-108	
29	213TC-215TC Coupling Half 1.250" 6S	1	11-98	
	254TC-286TC Coupling Half 1.250" 7S	1	11-99	
	324TC-365TSC Coupling Half 1.250" 8S	1	11-100	
30	1/2-13 x 1-1/4" Bolt	4	30-36X	
33	Washer	6	43-16	

PL5030-CH25

2085HPLV - 2085HP STYLE "B" LARGE BORE PEDESTAL PARTS DIAGRAM







PL5030  
200 SERIES SANITARY  
PUMP PARTS LIST



**SPX FLOW TECHNOLOGY**

611 Sugar Creek Road

Delavan, WI 53115

P: (262) 728-1900 or (800) 252-5200

F: (262) 728-4904 or (800) 252-5012

E: [wcb@spx.com](mailto:wcb@spx.com)

SPX reserves the right to incorporate our latest design and material changes without notice or obligation.

Design features, materials of construction and dimensional data, as described in this bulletin, are provided for your information only and should not be relied upon unless confirmed in writing.

Please contact your local sales representative for product availability in your region. For more information visit [www.spx.com](http://www.spx.com).

The green ">" is a trademark of SPX Corporation, Inc.

ISSUED 1/2012

COPYRIGHT ©2012 SPX Corporation