

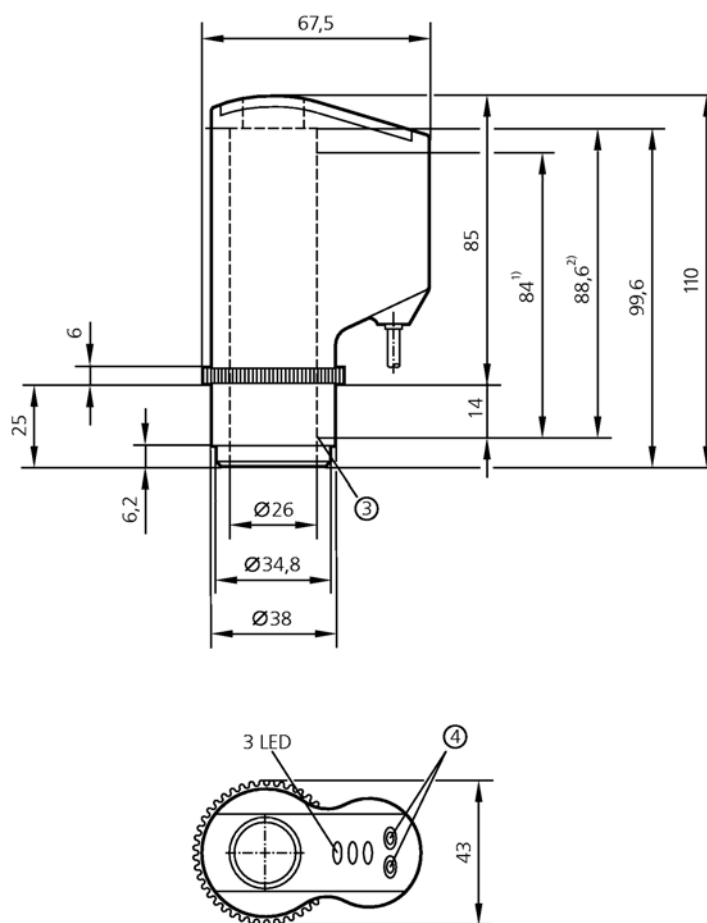
Inductive sensors for valves

IX5003

IX-3084-BPKG/3LED

Cable

Position feedback for linear single
and double seat valves
Absolute distance measurement
Monitoring of the valve seal



1: Measuring distance, 2: Max. spindle stroke, 3: Initial value of the measuring range (zero point), 4: Programming buttons



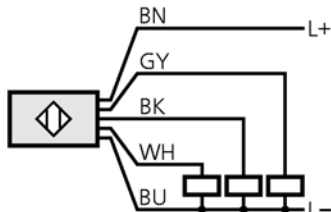
Electrical design	
Output	
Operating voltage	[V]
Current rating	[mA]
Short-circuit protection	
Reverse polarity protection	
overload protection	
Voltage drop	[V]
Current consumption	[mA]
Target	

DC PNP	
3 x normally open	
	18...36 DC
	100
	no
	yes
	yes
	< 2.5
	< 42 (24V)
	cylindrical disc

- Ø 24 mm ± 0.05 mm
 - minimum height 10 mm
 - flat surface
 - stainless steel to DIN 17440, material no. 316S12

Max. target speed	[m/s]	1
Power-on delay time	[s]	2
Measuring length	[mm]	0...84
Resolution	[mm]	0.2
Programmable functions		3 switchpoints to be freely defined within the measuring range

IX5003

Operating temperature [°C]	-25...85 *)
Protection	IP 65 / IP 67 **, II
EMC	IEC 1000-4-2 / EN 61000-4-2: 4 kV CD / 8 kV AD IEC 1000-4-3 / EN 61000-4-3: 10 V/m, 80...1000 MHz IEC 1000-4-4 / EN 61000-4-4: 2 kV coupling pliers IEC 1000-4-6 / EN 61000-4-6: 3 V / 0.15...80 MHz
Housing material	PA; TPE; PP (polypropylene); LCP
Output status indication LED	green (open), yellow (seat), red (close)
Connection	PVC cable / 0.3 m
Wiring	
Core colors	
BK black	
BN brown	
BU blue	
GY grey	
WH white	
Remarks	*) firmly laid cable **) only in conjunction with an installation in the valve head that provides sufficient protection against mechanical damage of the sensor